



Product code:

**C36GVR005X**

---

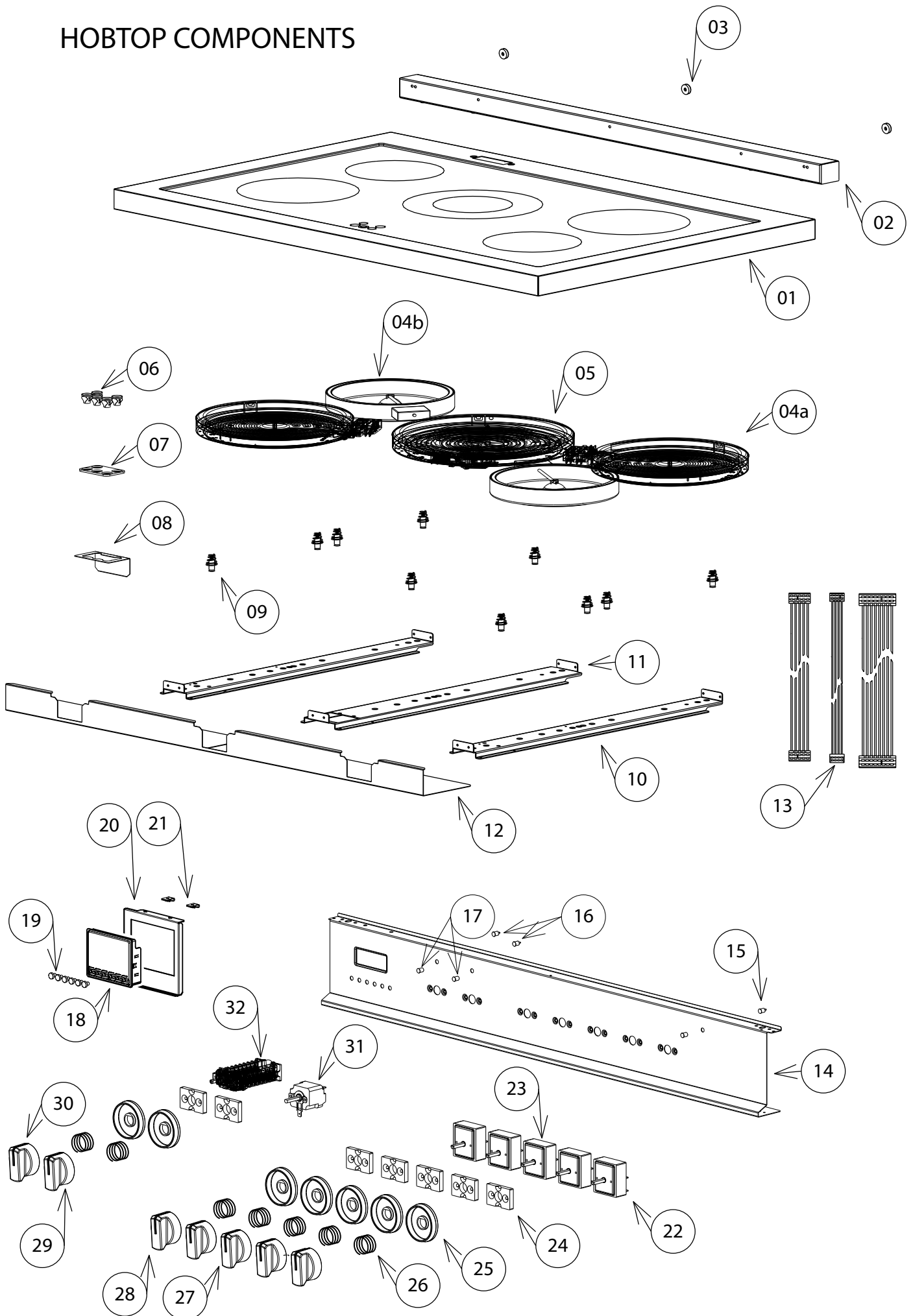
Product : **Cooker**

Model : **VDFSEE365SS**

Product code	Serial no.	Product remark	Issue no.	Issue date
<b>C36GVR005X</b>				May 2019

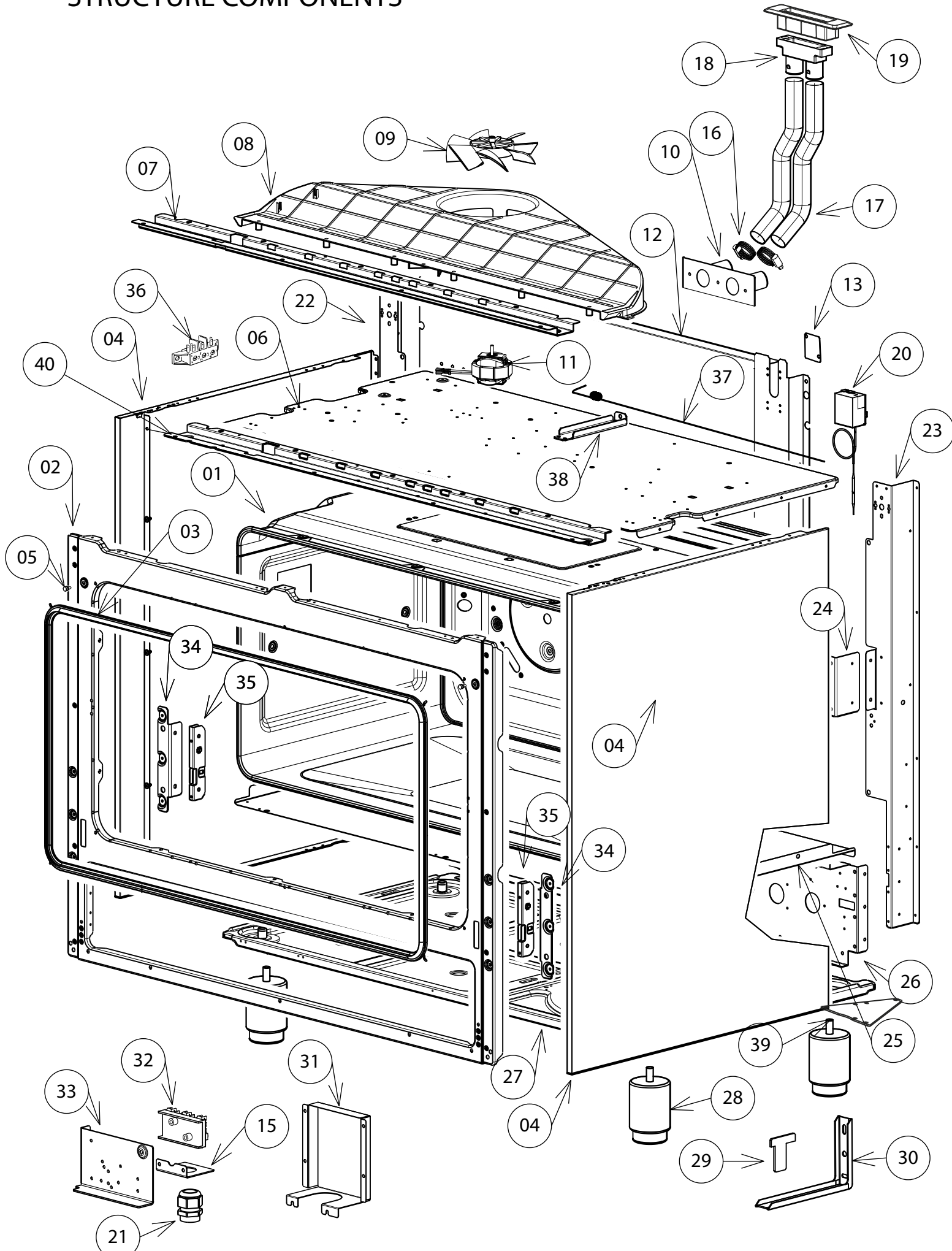
Key part information	

# HOBTOP COMPONENTS



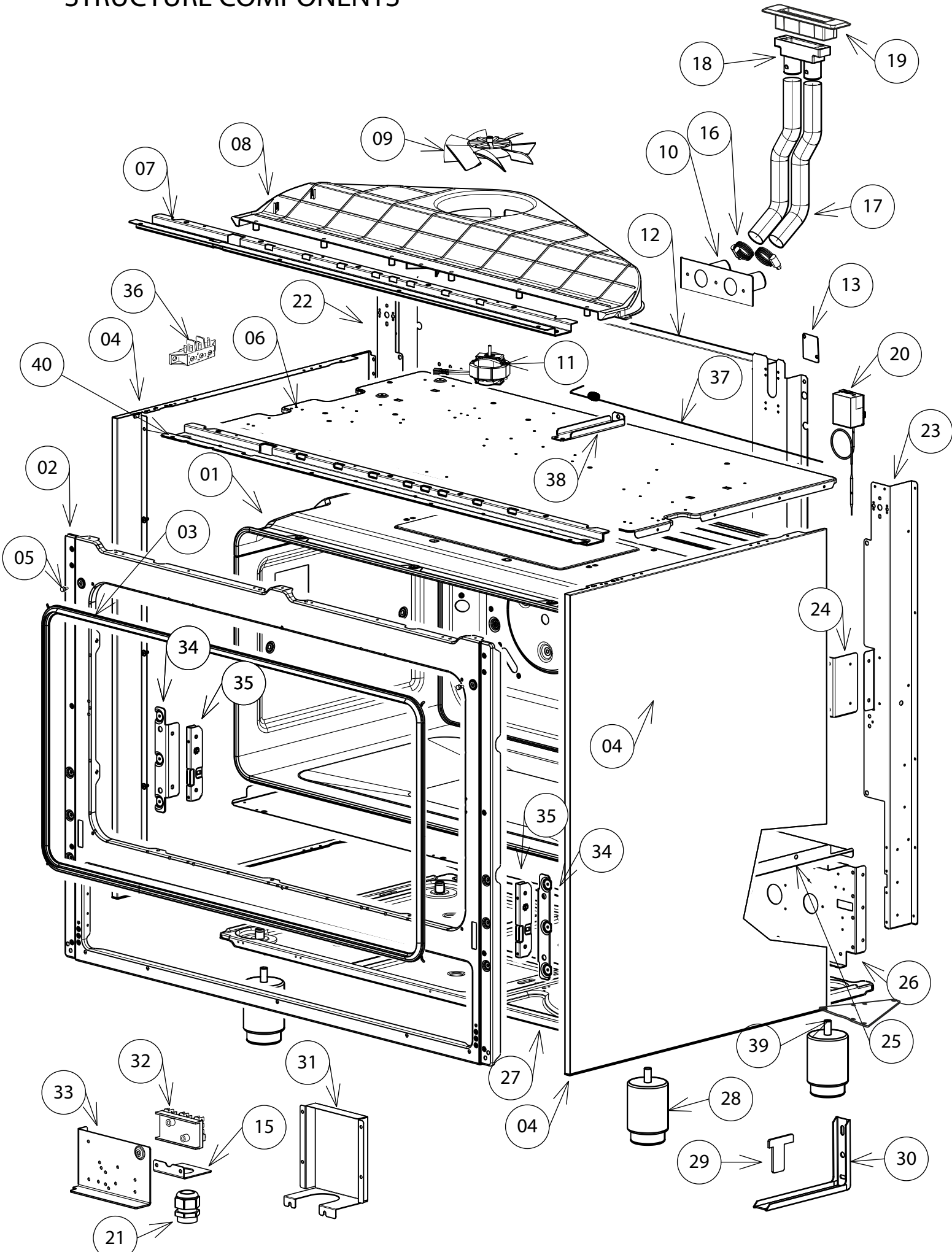
Ref.	Part description	Product code	
		<b>C36GVR005X</b>	
		Feature	Part code
01	VITROCERAMIC HOB TOP		355VC3606
02	BACKGUARD		1031861061A
03	REAR SPACING		040041001
04a	RADIANT HOTPLATE		04778240
04b			04777240
05			04779240
06	CONTROL LAMP BUSH		1031121
07	CONTROL LAMP SUPPORT		1031134
08	CONTROL LAMP SUPPORT		094408
09	SPRING+SPACER+SCREW	035075 + 085043 + 001111	
10	HOTPLATES SUPPORT		51B9S02
11	MIDDLE HOTPLATES SUPPORT		51B3607
12	HOTPLATES PROTECTION		51B3606
13	VITROCERAMIC WIRING		1132305
14	CONTROL PANEL		35C9G20LVR
15	CONTROL LAMP		073077
16			073078
17	LENS CONTROL LAMP		07308202
18	PROGRAMMER		074112
19	BUTTON		1031589
20	PROGRAMMER SUPPORT		094939
21	CLIP		213007
22	ENERGY REGULATOR		050064240
23	ENERGY REGULATOR 2C		050065240
24	SPACER		103948.1
25	KNOB RING		218000G574
26	KNOB SPRING		035036
27	ENERGY REGULATOR KNOB	1 PC	2183C0E634
28	ENERGY REGULATOR 2C KNOB	4 PCS	218317E634
29	SWITCH KNOB	1 PC	2183E6E571
30	THERMOSTAT KNOB	1 PC	2183L4E571
31	THERMOSTAT		066141
32	SWITCH		050121

STRUCTURE COMPONENTS



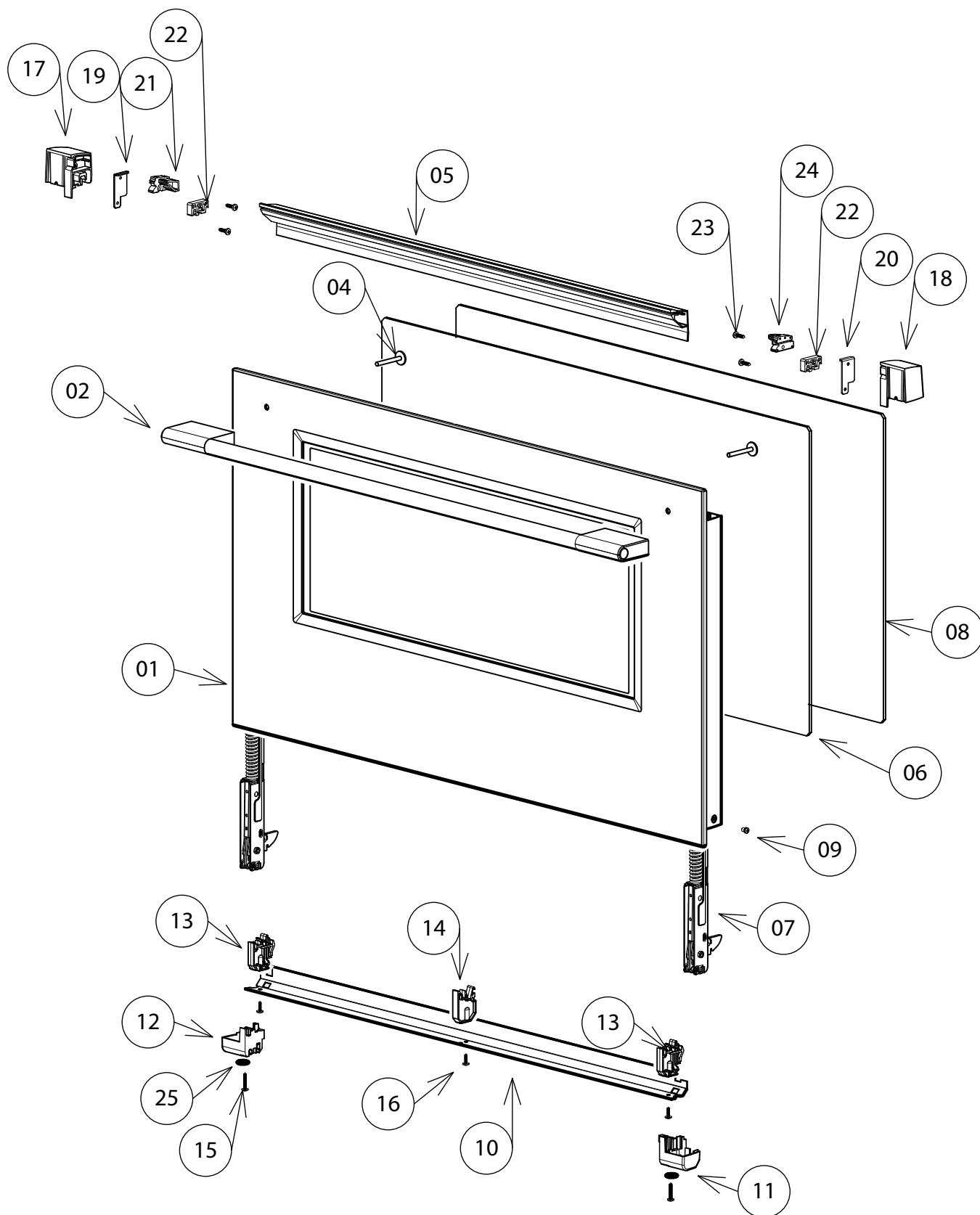
Ref.	Part description	Product code	
		<b>C36GVR005X</b>	
		Feature	Part code
01	OVEN CUBE		4509G1EM41
02	BODY FRONT PANEL		45B9G001G
03	SEAL		053202
04	SIDE PANEL		36C36G01S
05	RUBBER		040076
06	COOLING FAN SUPPORT		4219G04Z
07	CONTROL PANEL TRIM		51B9G20Z
08	SHROUD COOLING FAN		1031842
09	WINGS COOLING FAN		1031843
10	FUMES DISCHARGE CONNECTOR		1031867
11	TANGENTIAL FAN MOTOR		079080
12	REAR PANEL		4119G02Z
13	BRACKET		094725
15	WIRE FASTENER SUPPORT		094893
16	FASTENER RING		1031522
17	FLEXIBLE HOSE		1031521
18	CHIMNEY		1031520
19	CHIMNEY		1031517
20	THERMOSTAT		066225
21	WIRE MOUNT		052018
22	TRIM REAR OVEN SUPPORT LH		51B9G05Z
23	TRIM REAR OVEN SUPPORT RH		51B9G06Z
24	REAR COUPLER		094887
25	LOWER PROTECTION		4219G02Z
26	TRIM REAR OVEN SUPPORTLOWER		4219G03Z
27	LOWER ELEMENT COVER		45K96004Z
28	SHIM		1031807
29	LOCKING PIN		1031207
30	ANTI-TILT BRACKET		630132
31	TERMINAL BLOCK COVER		51B9G13Z.1
32	TERMINAL BLOCK ERB-32		051078
33	TERMINAL BLOCK SUPPORT		094894.1
34	SUPPORT FEMALE HINGE		094896 - 094897

STRUCTURE COMPONENTS



Ref.	Part description	Product code	
		<b>C36GVR005X</b>	
		Feature	Part code
35	FEMALE HINGE		063165
36	TERMINAL BLOCK		051037
			051062
37	SPRING REAR INSULATION		035130
38	PANEL REAR SPACER		094895.1
39	FEET SUPPORT		094913
40	TRIM CONTROL PANEL		51B9G20Z
NI	ROTISSERIE HOLE PLUG		035097
NI	OVEN INSULATION	1 PC	030282
NI	REAR INSULATION	1 PC	030283
NI	FAN INSULATION	2 PCS	030289
NI	LIGHT INSULATION	2 PCS	030229.1
NI	HARNESS VETROCERAMIC		1132305
NI	HARNESS LAMP		1132482
NI	HARNESS LAMP		1132483
NI	HARNESS		1132665

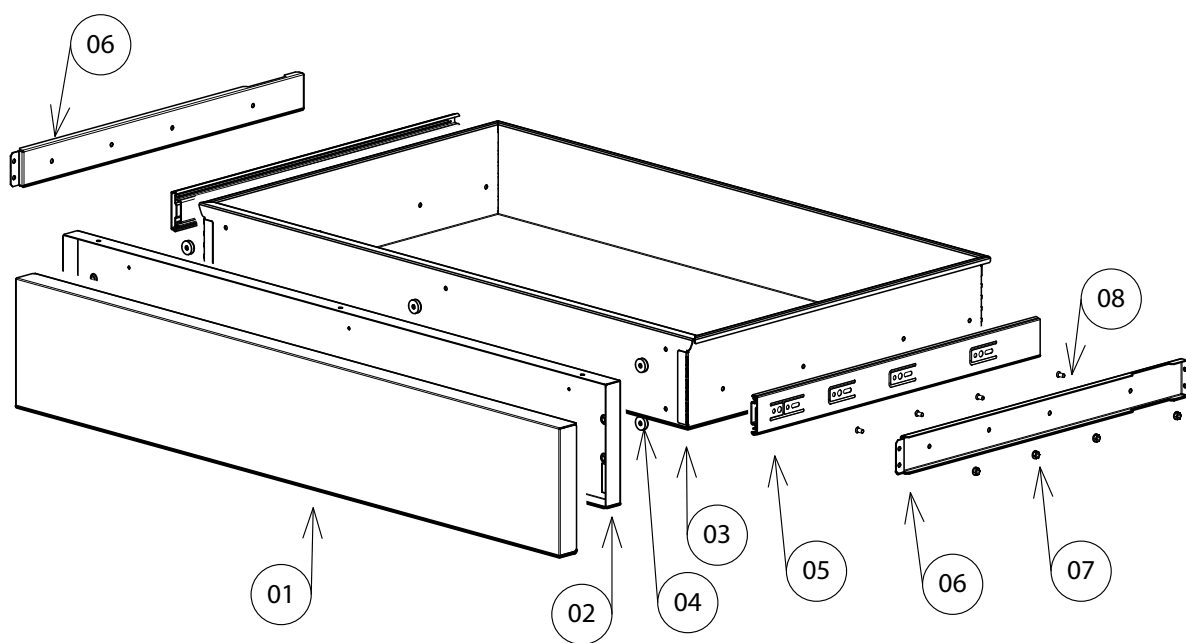
DOOR COMPONENTS





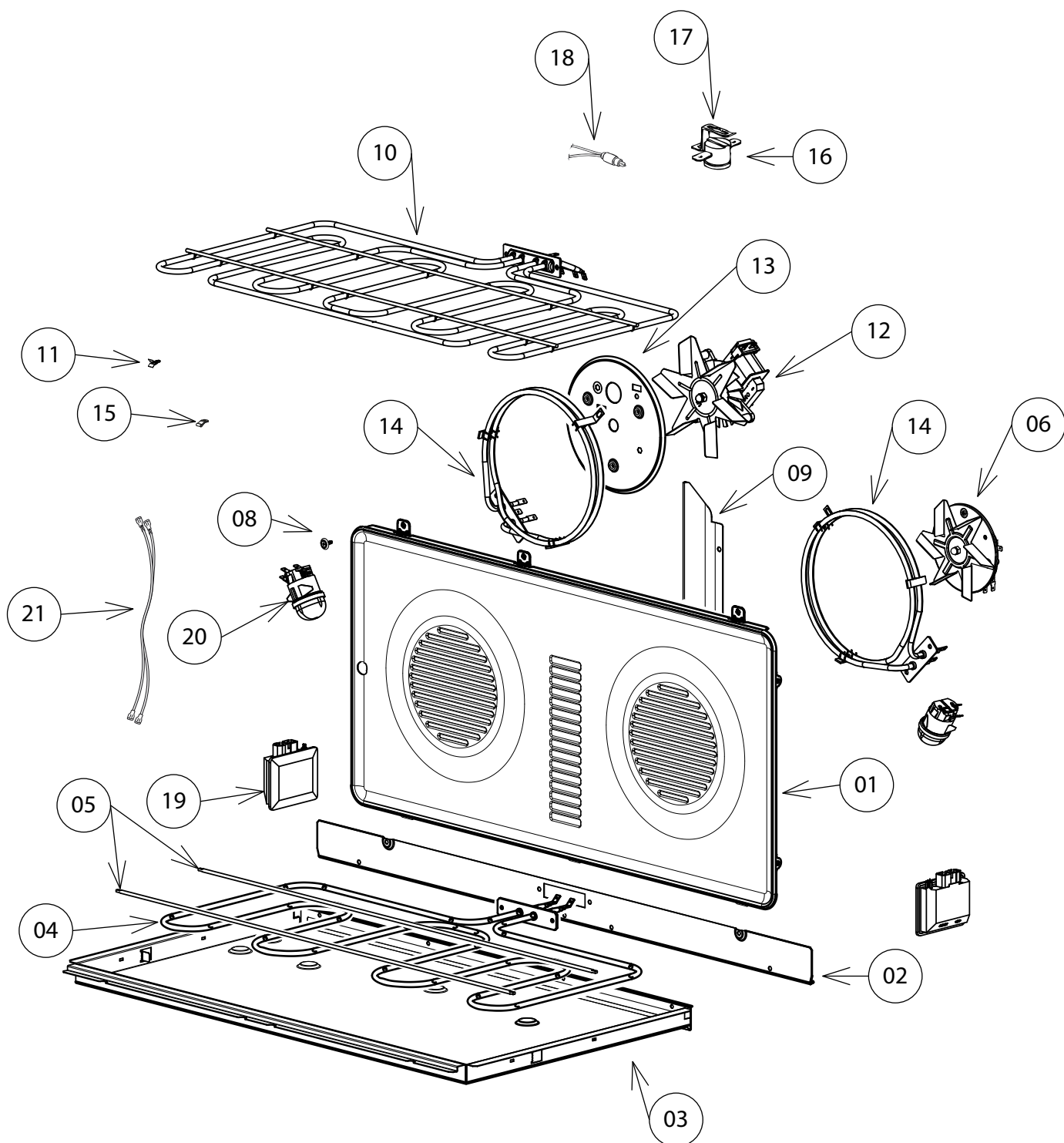
Ref.	Part description	Product code	
		<b>C36GVR005X</b>	
		Feature	Part code
01	OVEN DOOR GLASS ASSY		0329G013
02	HANDLE ASSY		037384062
04	SCREW M5X15 TL x BRUGOLA5		001265
05	UPPER DOOR TRIM		51B9G18A
06	INNER DOOR GLASS		0313386
07	OVEN DOOR HINGE		063171
08	INNER DOOR GLASS		0313374
09	SCREW M5X6 TC CROSS NERA		001288
10	BOTTOM DOOR TRIM		51B9G01A
11	CORNER DOOR LOWER RH		069119
12	CORNER DOOR LOWER LH		069120
13	RETAINER DOOR GLASS		069097
14	SUPPORT DOOR GLASS		069098
15	SCREW VITE 7Px32 TC CROSS UNI6954 DIN798		001355
16	SCREW(BREV.KIL)8PX13TMT ZN		001169
17	UPPER CORNER		069118
18	UPPER CORNER		069117
19	BRACKET CORNER LEFT		094714
20	BRACKET CORNER RIGHT		094715
21	BRACKET		069106
22	RUBBER		040082
23	SCREW 4,2PX16 TC CROS ZN/N		001311
24	BRACKET		069105
25	WASHER		003113

# STORAGE FLAP COMPONENTS



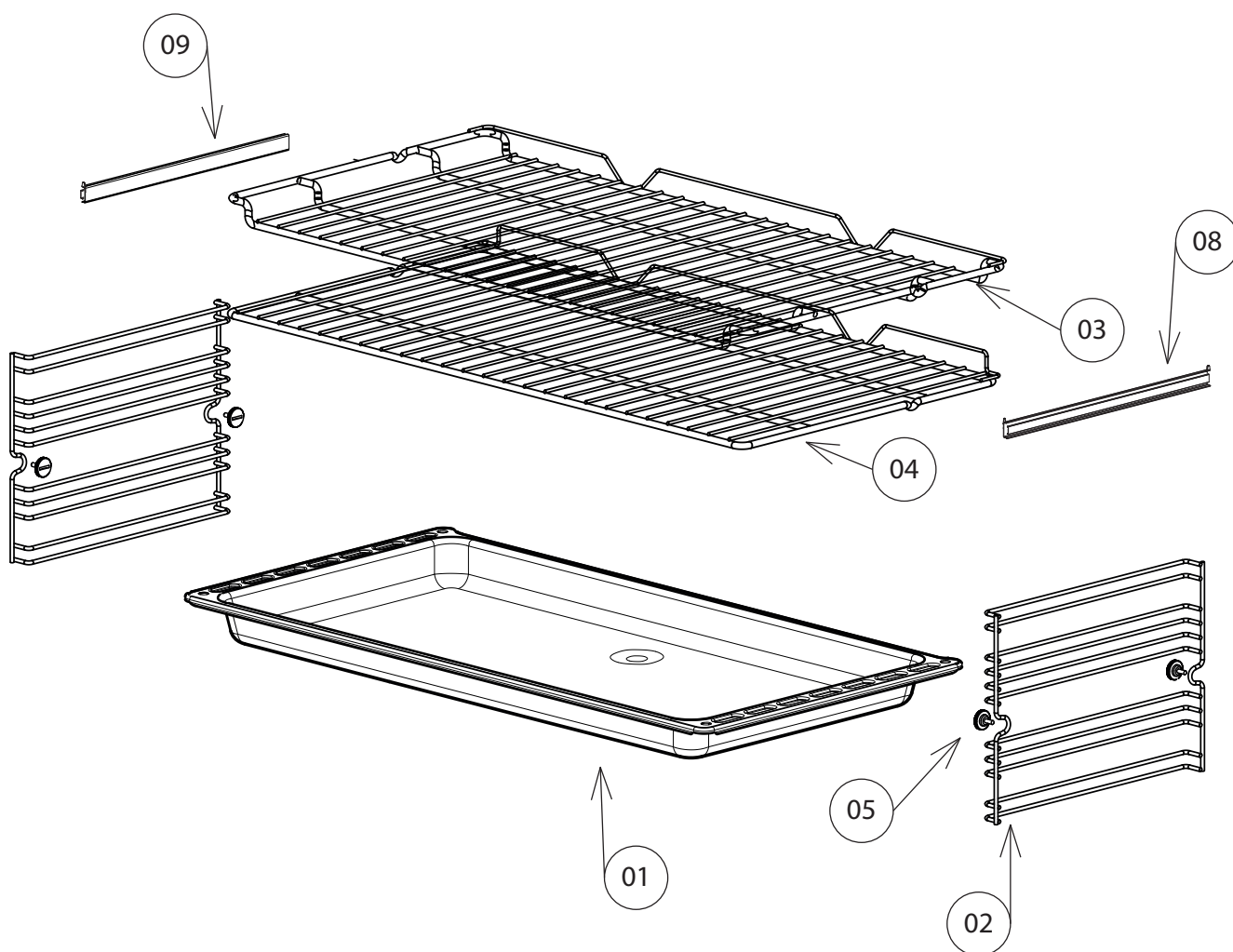
Ref.	Part description	Product code	
		<b>C36GVR005X</b>	
		Feature	Part code
01	LOWER PANEL		371V9G02L
02	INSIDE PANEL		373V9G01A
03	DRAWER		39K9G01X.1
04	SPACER		1031909
05	DRAWER RAIL		103881A
06	TRIM SUPPORT RAIL DRAWER		51B9G08Z
07	NUT		214037
08	SCREW M4X8,5TSP D6,3 ZN/W		001187

# ELEMENTS COMPONENTS



Ref.	Part description	Product code	
		<b>C36GVR005X</b>	
		Feature	Part code
01	FAN DIFFUSER		47A9G05G
02	TRIM ELEMENT BAKE		51B9G07Z
03	LOWER PROTECTION		4219G05Z
04	BOTTOM ELEMENT		062170001
05	ELEMENT SUPPORT		1031844
06	FAN MOTOR DX		079081
08	SCREW 8PX9,5 C/RD.OSC.ZN/N		001172
09	MOTOR PARTITION		4219G01G
10	TOP+GRILL ELEMENT		062174001
11	CLIP		213026
12	FAN MOTOR SX		079078
13	MOTOR SUPPORT		51BFG01
14	CIRCULAR ELEMENT		062173001
15	CLIP		213031
16	CUT-OFF THERMOSTAT 55°C		066224
16	CUT-OFF THERMOSTAT 80°C		066145
17	LIMITER SUPPORT		103523
18	CONTROL LAMP		073039.2
19	SIDE LAMP HOLDER		072035
20	LAMP HOLDER		072034
21	HARNESS SIDE LAMP		1132482

# ACCESSORIES COMPONENTS



Ref.	Part description	Product code	
		<b>C36GVR005X</b>	
		Feature	Part code
01	OVEN TRAY BROILER		48B6105G
	BROILER PAN		48E6104G
02	SHELF SUPPORT		217789
03	SHELF DROP DOWN		217782.1
04	SHELF FLAT		217785.1
05	SCREW SHELF SUPPORT		001142
08	RIGHT TELESCOPIC RUNNER		1031782
09	LEFT TELESCOPIC RUNNER		1031783
NI	BOOK USER		1105879
NI	BOOK INSTALLER		1105880