



Product code :

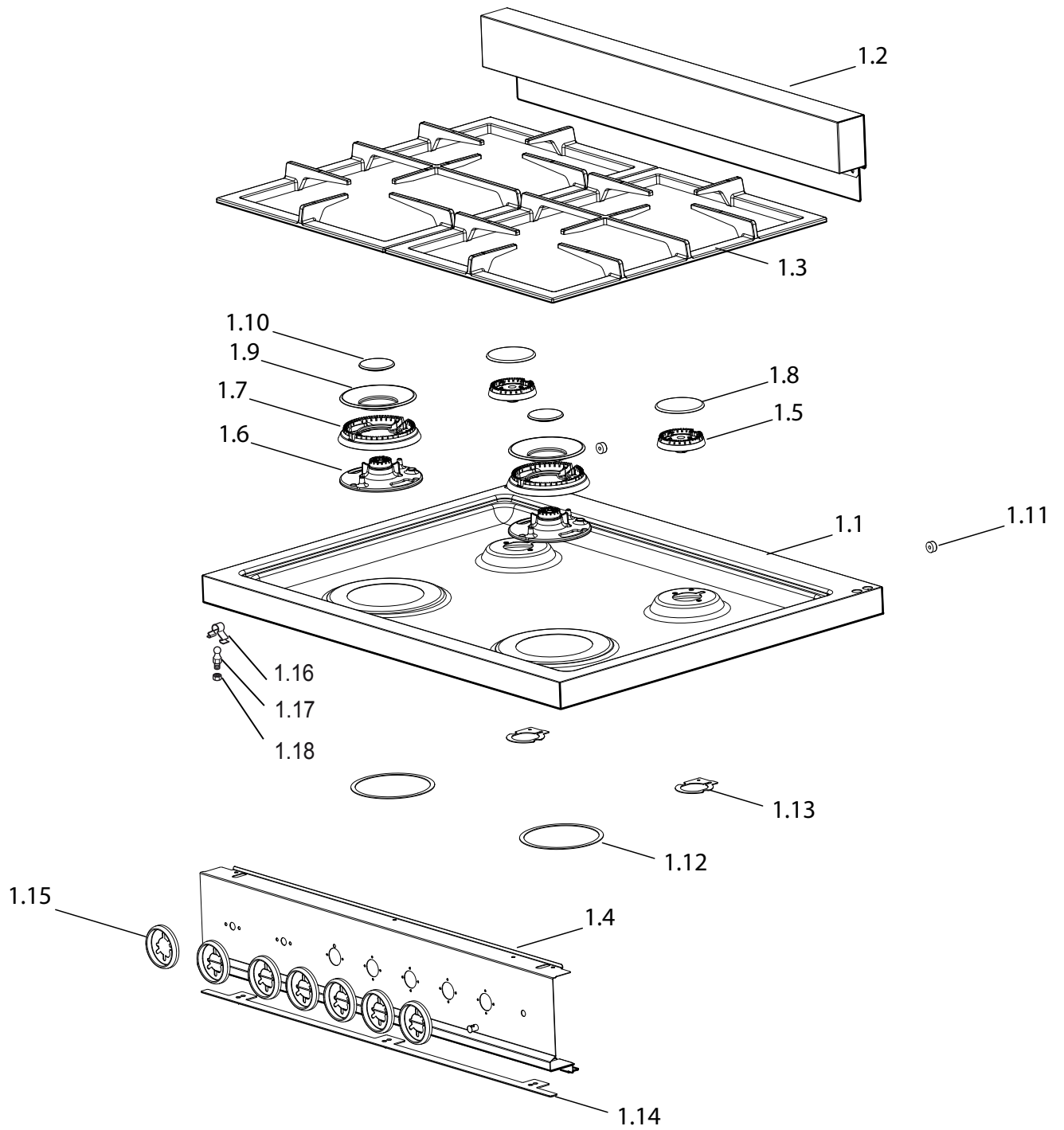
C300DX010X

Product : **Cooker**

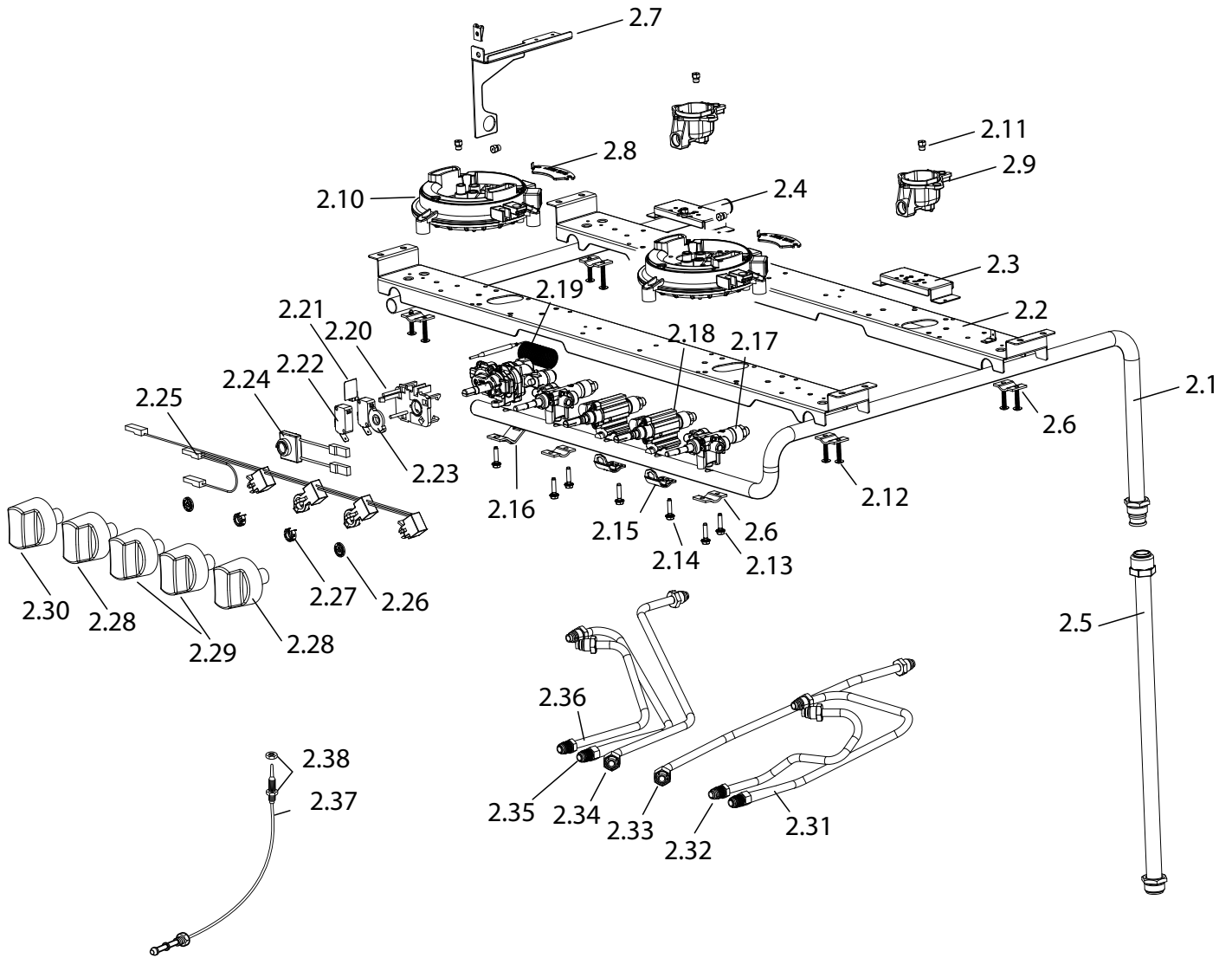
Model : **VESFGG 304 NSS**

Product code	Serial N°	Product remark	Issue N°	Issue date
C300VR010X				June 2014

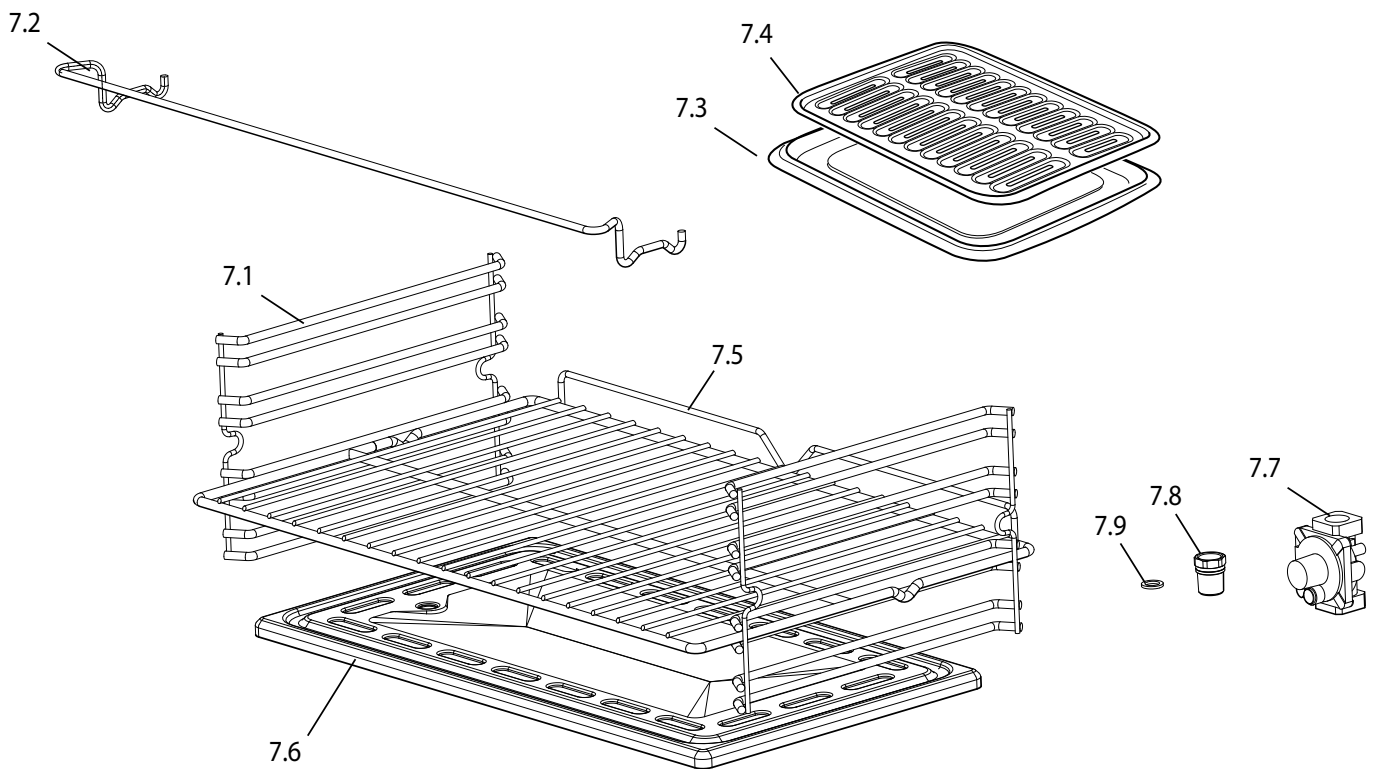
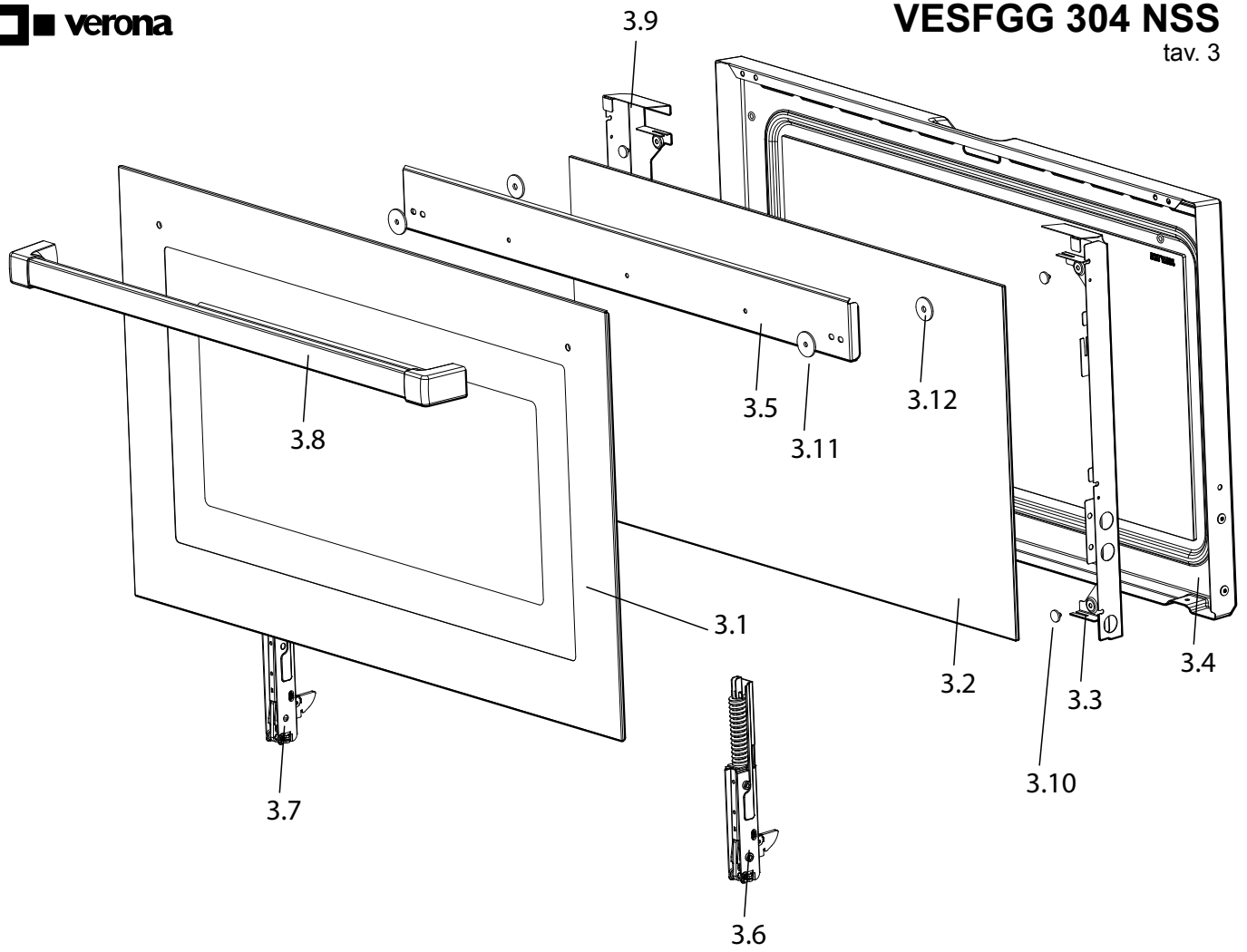
Key part information	



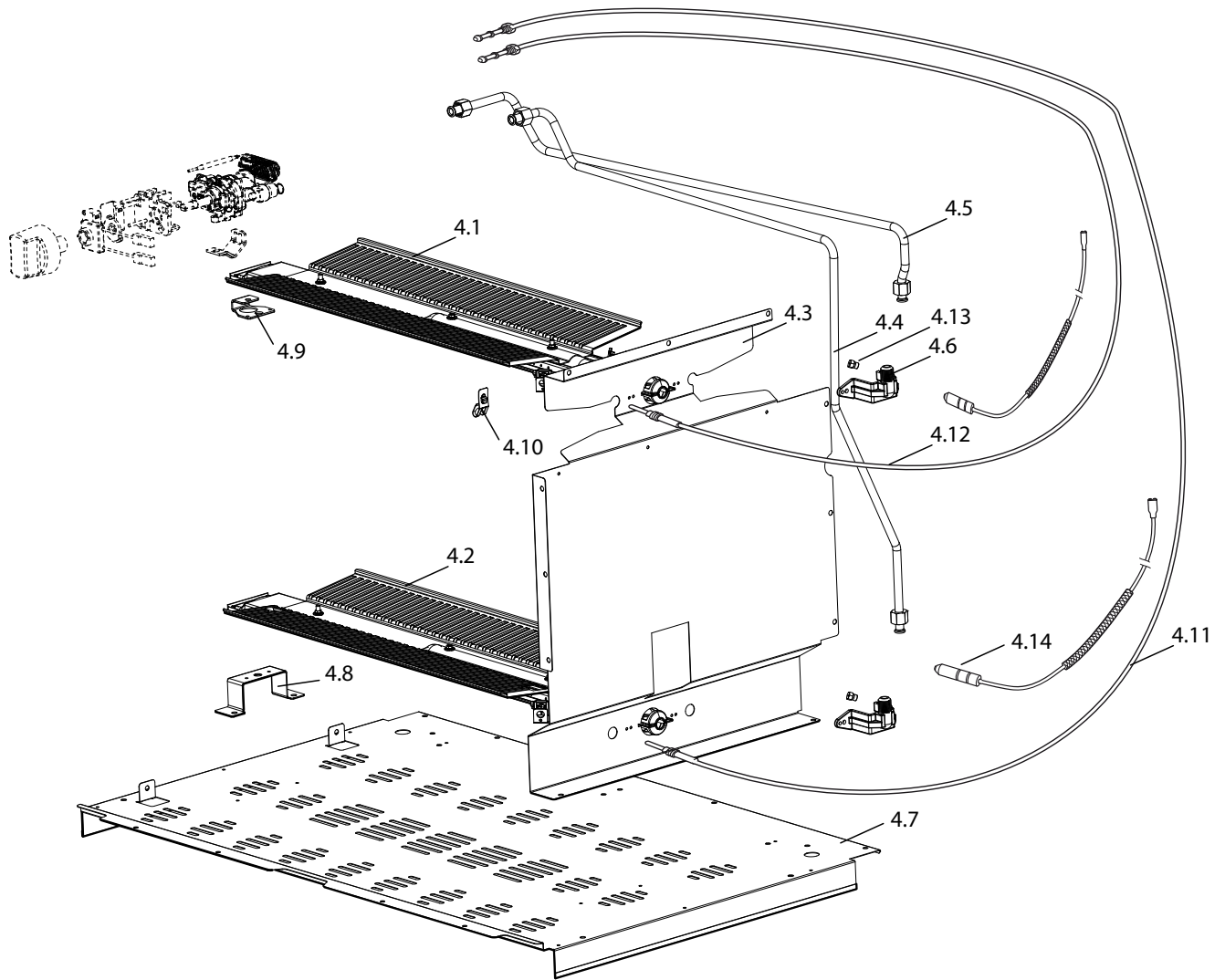
Ref.	Part description	Product code	
		C300VR010X	
		Feature	Part code
1.1	HOB TOP		33130401S
1.2	REAR TRIM		1031491061
1.3	PAN-SUPPORT		217677
1.4	CONTROL PANEL		35C3002SDX
1.5	SR BURNER-HEAD		068132003
1.6	TR INNER BURNER-HEAD		068140
1.7	TR OUTER BURNER-HEAD		068141
1.8	SR BURNER-CAP		216154005A
1.9	TR OUTER BURNER-CAP		216163005A
1.10	TR INNER BURNER-CAP		216162005A
1.11	REAR SPACING		040031002
1.12	SEAL		053165
1.13	SEAL		053166
1.14	DEFLECTOR		51B3003S
1.15	KNOB RING		103880L
1.16	CLIP		035100
1.17	PIN		103615
1.18	NUT		214062



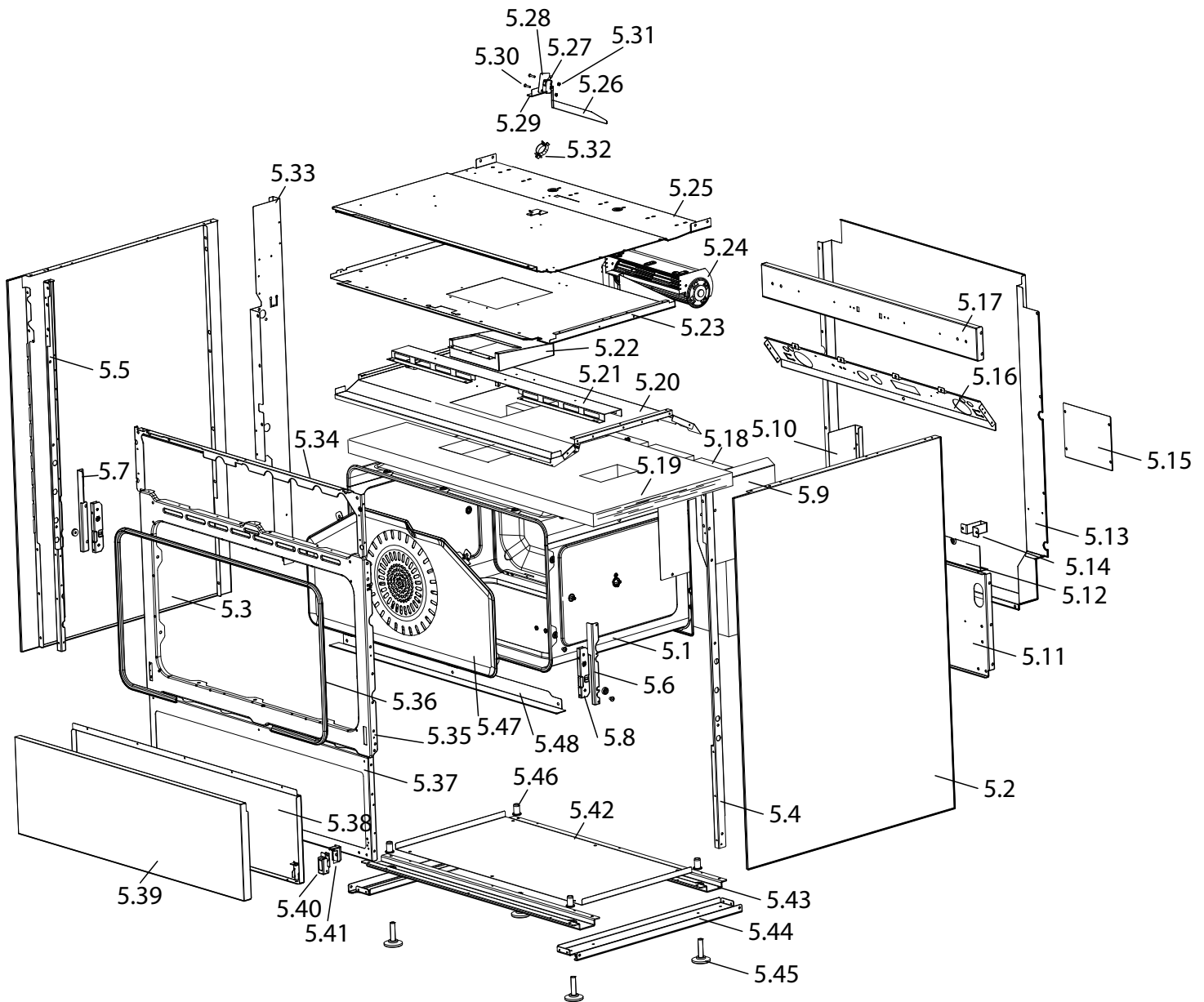
Ref.	Part description	Product code	
		C300VR010X	
		Feature	Part code
2.1	MANIFOLD		3423003
2.2	BURNER SUPPORT		51B3002
2.3	BRACKET		094748
2.4	MANIFOLD		3426P40002
2.5	INLET PIPE EXTENSION		3423002
2.6	BRACKET		094036
2.7	BRACKET		094747
2.8	BRACKET AIR TR		1031514
2.9	SR BURNER		215497
2.10	TR BURNER		215504
2.11	INJECTOR	NG - TR - ø 70	101358
2.11	INJECTOR	NG - TR - ø 200	101359
2.11	INJECTOR	NG - SR - ø 139	101357
2.11	INJECTOR	LP - TR - ø 42	101360
2.11	INJECTOR	LP - TR - ø 115	101361
2.11	INJECTOR	LP - SR - ø 85	101362
2.12	SCREW		001167
2.13	SCREW	SR	001282
2.14	SCREW	TR	001251
2.15	BRACKET		094654
2.16	BRACKET		094503
2.17	TAP	SR	106271GN
2.18	TAP	TR	106300
2.19	THERMOSTAT		066200
2.20	SWITCH SUPPORT		103917
2.21	MICROSWITCH BLADE		094556
2.22	TANGENTIAL MICROSWITCH		077084
2.23	CAM		103894
2.24	IGNITION HARNESS		1031435
2.25	IGNITION SWITCHES		1031531
2.26	RETAINING RING		003077
2.27	RETAINING RING		003095
2.28	KNOB	SR	2183B0E344
2.29	KNOB	TR	2183F1E519
2.30	KNOB	OVEN	2183G0E344
2.31	INLET PIPE FRONT RIGHT		0291039
2.32	INLET PIPE FRONT RIGHT		0291038
2.33	INLET PIPE REAR RIGHT		0291035
2.34	INLET PIPE REAR LEFT		0291034
2.35	INLET PIPE FRONT LEFT		0291037
2.36	INLET PIPE FRONT LEFT		0291036
2.37	THERMOCOUPLE	SR	107078
2.37	THERMOCOUPLE	TR	107090
2.38	NUT		214079



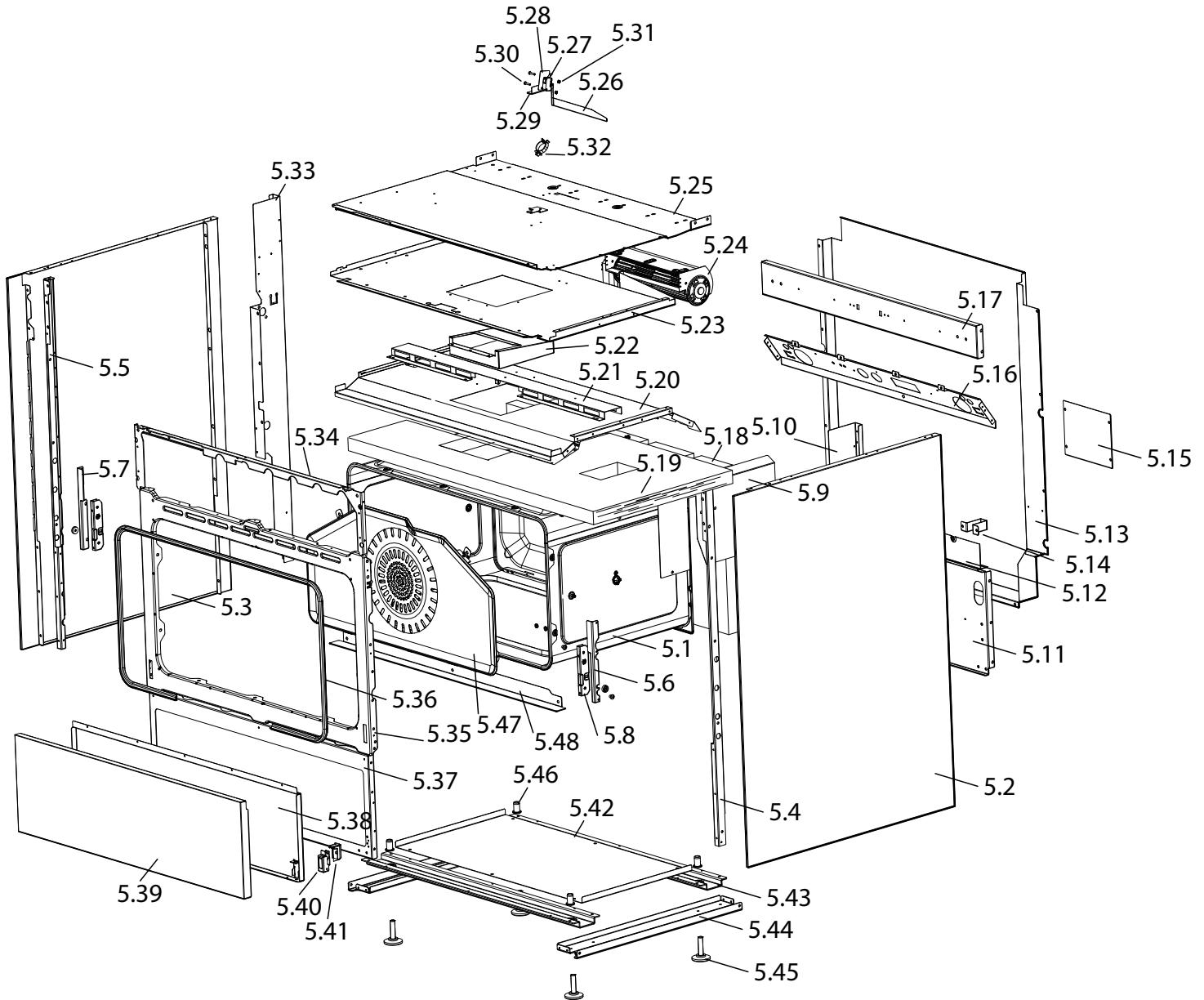
Ref.	Part description	Product code	
		C300VR010X	
		Feature	Part code
3.1	OVEN DOOR GLASS		03230001
3.2	MIDDLE DOOR GLASS		0312810
3.3	GLASS SUPPORT	RIGHT	51B3005
3.4	DOOR PANEL		375FF9001
3.5	HANDLE BAR		51BF913
3.6	MALE HINGE	RIGHT	063138DX
3.7	MALE HINGE	LEFT	063138SX
3.8	OVEN DOOR HANDLE		037310062
3.9	GLASS SUPPORT	LEFT	51B3004
3.10	RUBBER		040011
3.11	WASHER		003035
3.12	WASHER		003057
7.1	SHELF SUPPORT		217688
7.2	CONTROL PANEL GARD		1031492
7.3	BROILER PAN		48B6105G
7.4	BROILER PAN PLATE		48E6104G
7.5	OVEN SHELF		217687
7.6	OVEN FLOOR		47EF901G
7.7	PRESSURE REGULATOR		103841
7.8	CONNECTION		067033
7.9	GASKET		053024.1



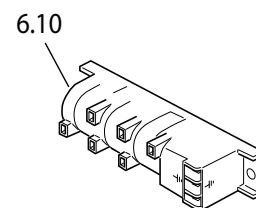
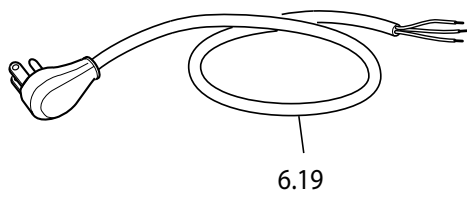
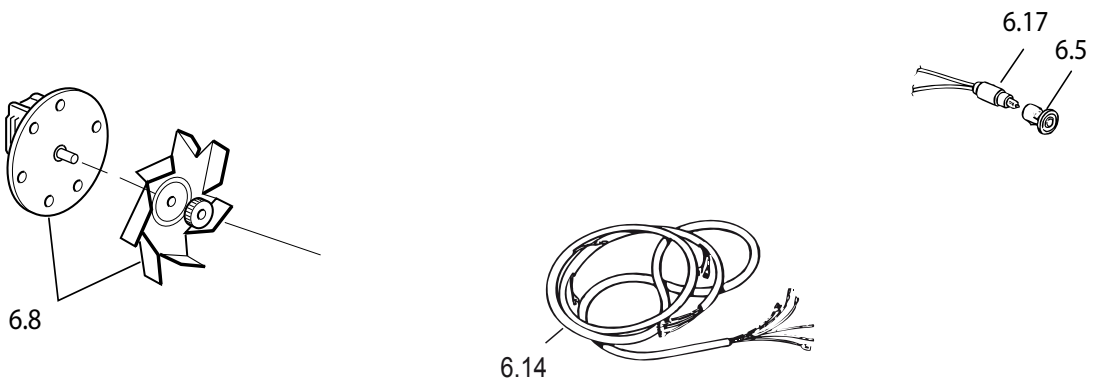
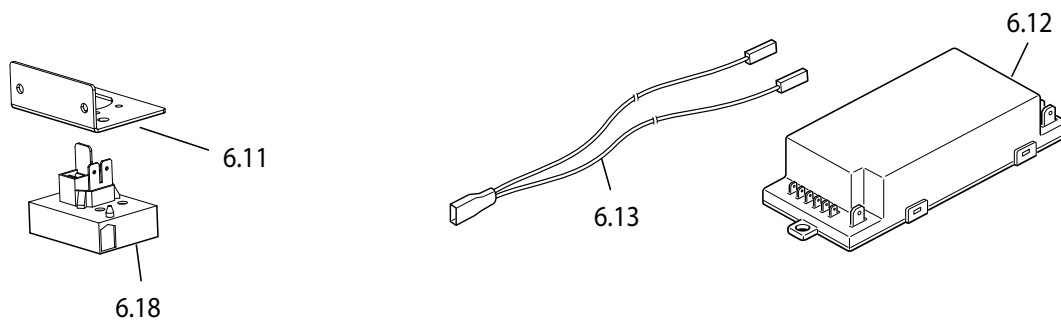
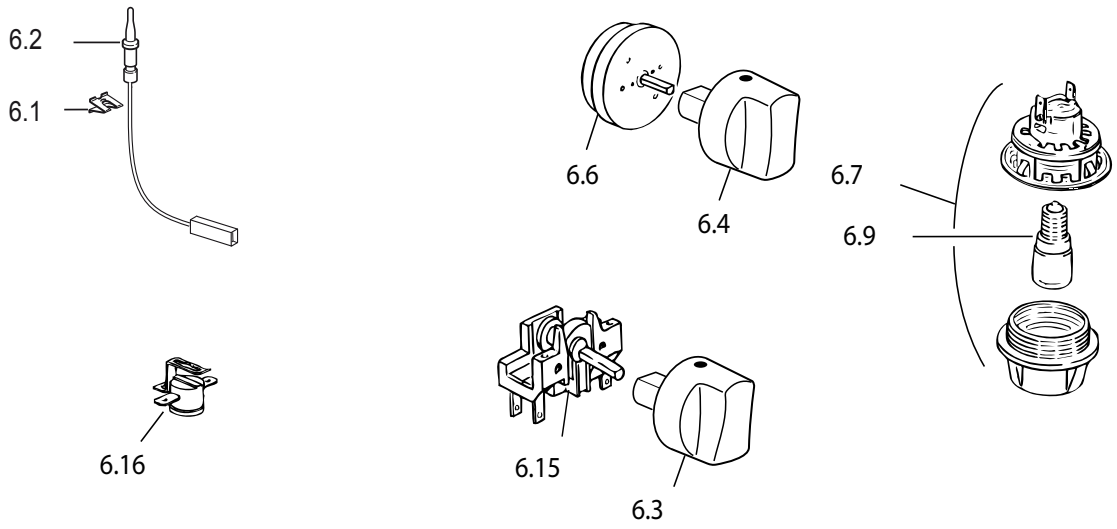
Ref.	Part description	Product code	
		C300VR010X	
		Feature	Part code
4.1	GRILL BURNER		215511
4.2	OVEN BURNER		215510
4.3	INJECTOR SIDE PANEL		4213010Z
4.4	OVEN INLET PIPE		0291086
4.5	GRILL INLET PIPE		0291087
4.6	ELBOW		067041
4.7	OVEN BURNER PROTECTION		4213007Z
4.8	OVEN BURNER SUPPORT		094771
4.9	GRILL BURNER SUPPORT		094772
4.10	CLIP		213015
4.11	THERMOCOUPLE OVEN		107058
4.12	THERMOCOUPLE GRILL		107056
4.13	INJECTOR	NG - OVEN - ø 190	101138
4.13	INJECTOR	NG - GRILL - ø 170	101054
4.13	INJECTOR	LP - OVEN - ø 109	101143
4.13	INJECTOR	LP - GRILL - ø 100	101007
4.14	ELECTRODE	OVEN	084041
4.15	ELECTRODE	GRILL	084040
7.15	CORD		054104



Ref.	Part description	Product code	
		C300VR010X	
		Feature	Part code
5.1	OVEN CUBE		450F91GG43
5.2	SIDE PANEL	RIGHT	36C30D1S
5.3	SIDE PANEL	LEFT	36C30S1S
5.4	FRONT TRIM	RIGHT	51B3014
5.5	FRONT TRIM	LEFT	51B3013
5.6	HINGE SUPPORT	RIGHT	094768DX
5.7	HINGE SUPPORT	LEFT	094768SX
5.8	FEMALE HINGE		063130
5.9	HEATING PROTECTION		094773
5.10	REAR TRIM	RIGHT	51B3008
5.11	BOTTOM REAR PANEL		4213002Z
5.12	BOTTOM ELEMENT SUPPORT		51B3017
5.13	REAR PANEL		4113001Z
5.14	MANIFOLD SUPPORT		094486
5.15	TERMINAL BLOCK ACCESS PLATE		51B6612
5.16	COOLING FAN SUPPORT TRIM		51B3016
5.17	UPPER REAR TRIM		51B3006
5.18	REAR INSULATION		030242
5.19	OVEN INSULATION		030238
5.20	LOWER SHELTER		421F914Z
5.21	SUPPORT BAR		51BF912
5.22	STACK BOX		46EF901
5.23	LOWER PROTECTION		4213009Z
5.24	TANGENTIAL FAN		079060
5.25	LAM.CHIUSURA SUPERIORE C30		4213006Z



Ref.	Part description	Product code	
		C300VR010X	
		Feature	Part code
5.26	MICROSWITCH BLADE		094769
5.27	TANGENTIAL MICROSWITCH		077079
5.28	MICROSWITCH INSULATION		039060
5.29	MICROSWITCH SUPPORT		094753
5.30	SCREW		001073
5.31	NUT		214017
5.32	CABLE SUPPORT		103672
5.33	REAR TRIM	LEFT	51B3007
5.34	INTERIOR CONTROL PANEL		35M3001
5.35	BODY FRONT PANEL		45BF9003G
5.36	SEAL		053162
5.37	DRAWER OPENING FRAME		51B3011A
5.38	LOWER PANEL SUPPORT		373V3001Z
5.39	DRAWER FRONT PANEL		371V3001S
5.40	HINGE		063075
5.41	RIGHT PLASTIC SPACER		040085/DX
5.41	LEFT PLASTIC SPACER		040085/SX
5.42	LOWER PROTECTION		4213008Z
5.43	BASE TRIM		51B3009
5.44	SIDE CROS-PIECE SUPPORT		51B3010
5.45	FOOT		103878
5.46	INSERT		211024
5.47	FAN DIFFUSER		47AF902G
5.48	LOWER TRIM		51B3015A



Ref.	Part description	Product code	
		C300VR010X	
		Feature	Part code
6.1	IGNITER SPRING		035125
6.2	SPARK PLUG	SR	084062
6.2	SPARK PLUG	TR	084066
6.3	LIGHT & FAN SWITCH KNOB		2183B4E375
6.4	CLOCK KNOB		2183E3E375
6.5	CONTROL LAMP COVER	RED	07306202.2
6.6	ALARM TIMER		074009
6.7	LAMP HOLDER		072024
6.8	FAN MOTOR		079042
6.9	LAMP		073013005
6.10	IGNITION COIL		082072
6.11	TERMINAL BLOCK SUPPORT		094770
6.12	IGNITION ELECTRONIC CONTROL UNIT		1031391
6.13	IGNITION CABLE		1031636
			1031637
6.14	WIRING		1132093
6.15	LIGHT & FAN SWITCH		050067
6.16	CUT-OFF THERMOSTAT	55°C	066080
6.17	CONTROL LAMP		073077
6.18	TERMINAL BLOCK		051067
6.19	CORD		054136
	INSTRUCTION BOOKLET	USER	1104642
	INSTRUCTION BOOKLET	INSTALLER	1104643