



Product code:

P3A0VR011X

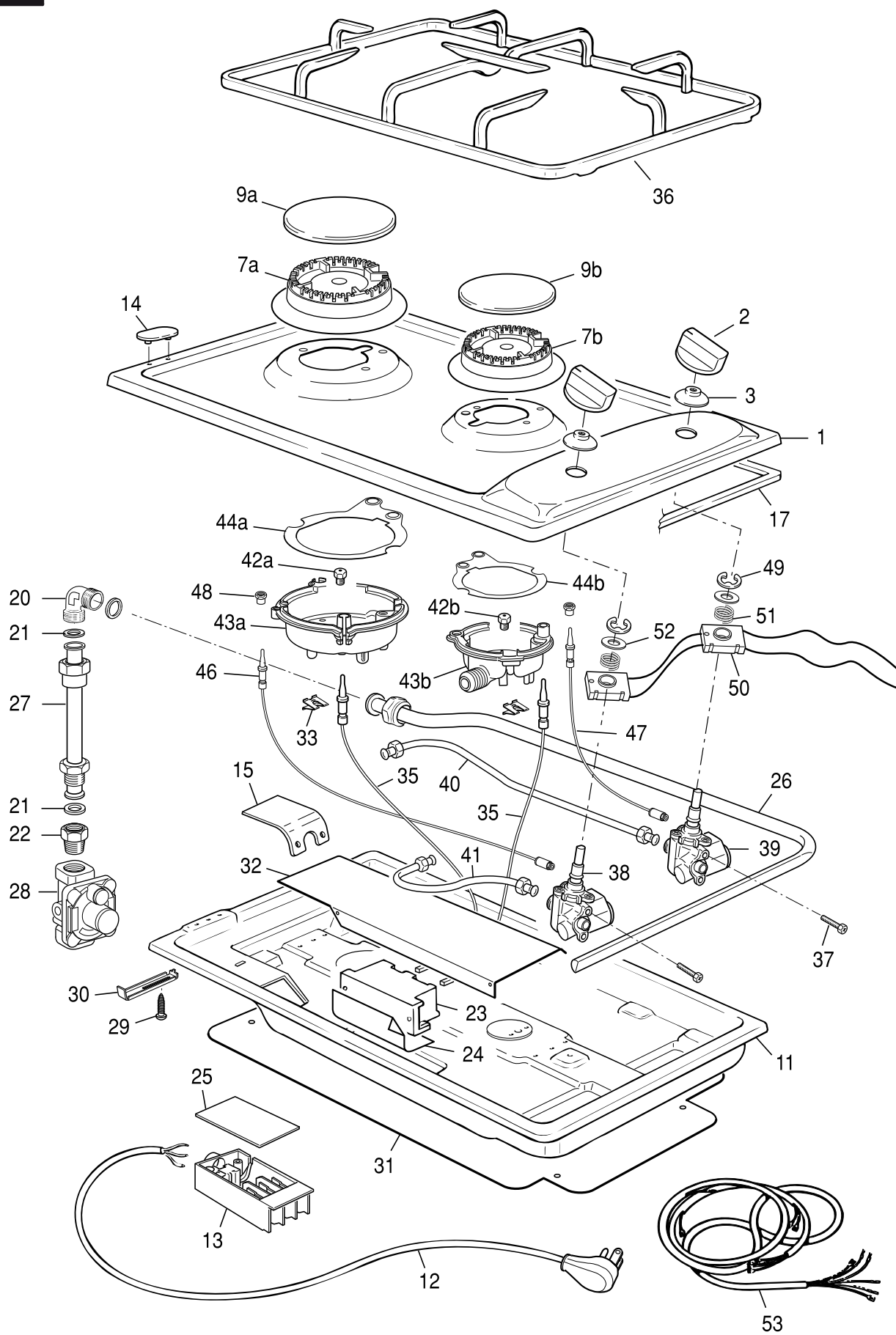
Product: **Domino gas
cooking hob**

Model: **VEGCT212FSS**

Product code	Serial No.	Product remark	Issue No.	Issue Date
P3A0VR011X				April 2011

Key part information	
SR	Semirapid burner
R	Rapid burner
NO	Indicates the diagram part reference is not used in this product.
(□)	Part features and Part codes not indicated are the same as previous product code

Ref.	Part description	Product code	
		P3A0VR011X	
		Feature	Part code
1	Cooktop		333A20GSV4
2	Knob		218300E363
3	Knob rubber		040057
7a	Burner head	R	068111003
7b	Burner head	SR	068110003
9a	Burner-cap	R	216131005A
9b	Burner-cap	SR	216130005A
11	Casing		4113A13
12	Cord		054099
13	Terminal block		051054
14	Plug		10348100X
15	Bracket		094271
17	Seal		053037
20	Elbow		067008
21	Bracket		053024.1
22	Conical connector		067034
23	Ignition coil		082069
24	Ignition coil insulation		039056
25	Terminal block box		103451
26	Inlet pipe		3423A20G10
27	Extension pipe		3426D0010
28	Pressure regulator		103842
29	Screw		001221
30	Bracket		094338
31	Casing protection		4213A01Z
32	Ignition coil protection		4213A02Z
33	Spring		035094
35	Electrode	L = 250	084028
36	Pan-support		217615
37	Screw		001090
38	Tap	R - Ø 0.44	106253
39	Tap	SR - Ø 0.34	106252
40	Gas pipe	R	029887



Ref.	Part description	Product code	
		P3A0VR011X	
		Feature	Part code
41	Gas pipe	SR	029886
42a	Injector	Ø 1.55	101226
		Ø 0.94	101275
42b	Injector	Ø 1.18	101225
		Ø 0.72	101293
43a	Burner	SR	215466
43b	Burner	R	215467
44b	Burner gasket	SR	053104
44a	Burner gasket	R	053105
46	Burner thermocouple	L500	107039/C
47	Burner thermocouple	L250	107038/C
48	Thermocouple nut		214057
49	Snap ring		003055
50	Ignition microswitches		1031165
51	Spring		035095
52	Snap ring		003023
53	Wiring		1131486
–	LPG gas conversion kit		6103A2012
–	Instruction booklet		1103613