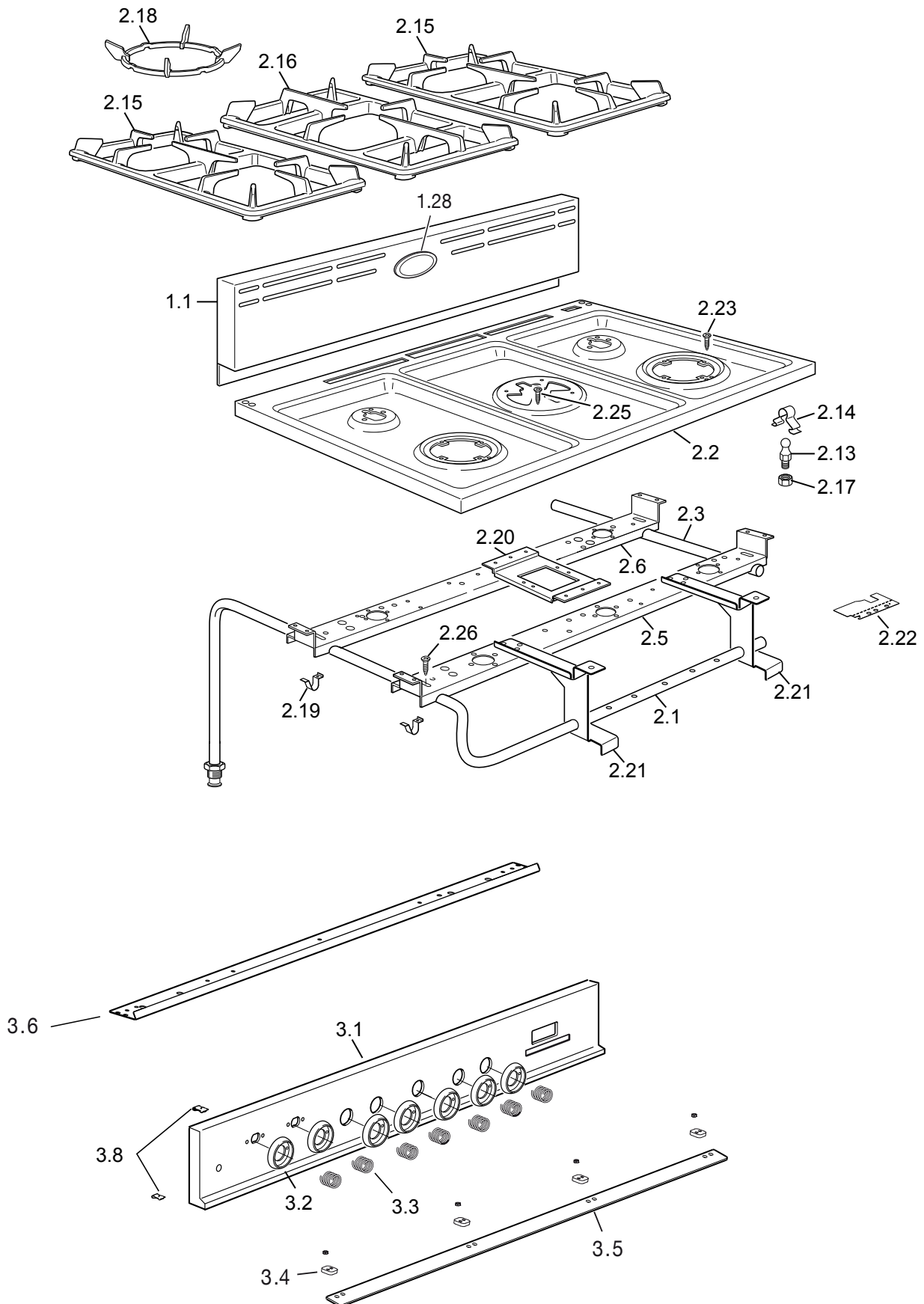


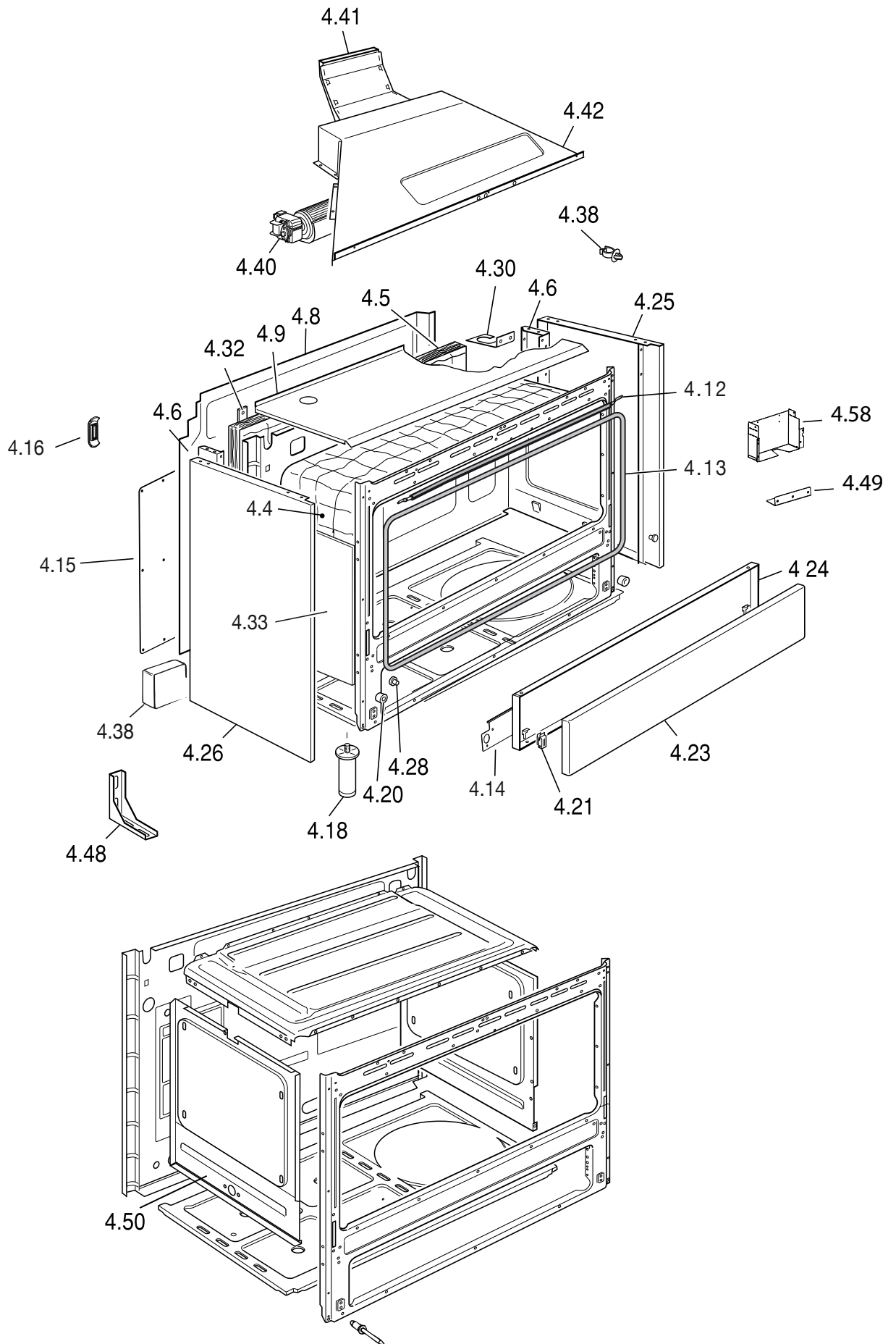
Product: **Cooker**Model: **VPFSGE365SS**

Product code	Serial No.	Product remark	Issue No.	Issue Date
C360VR042X				January 2019

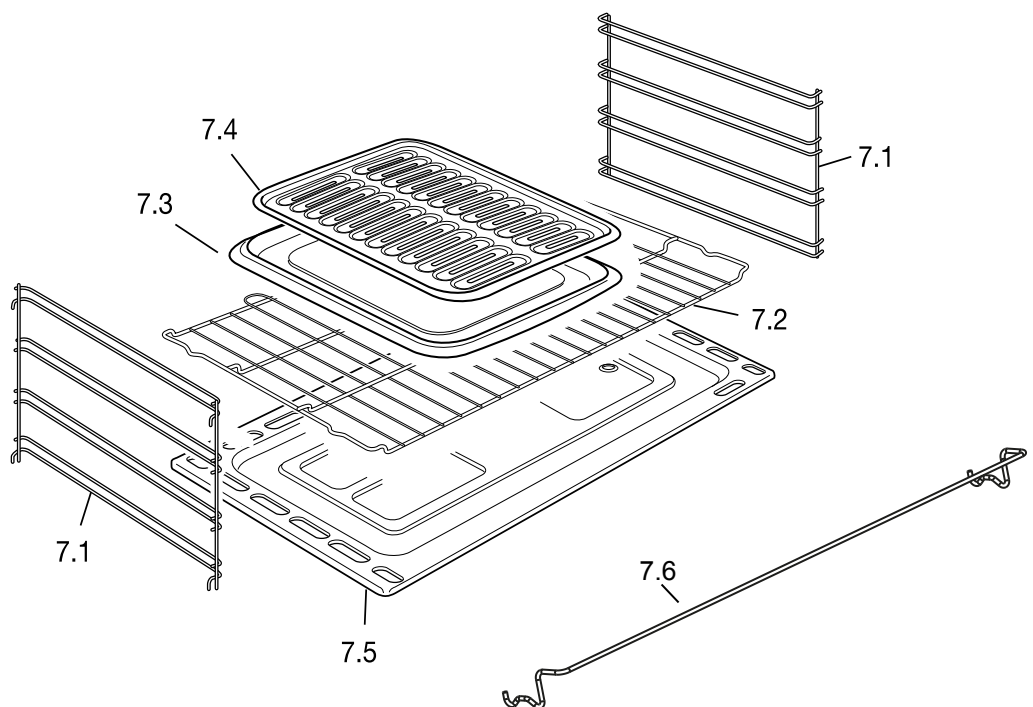
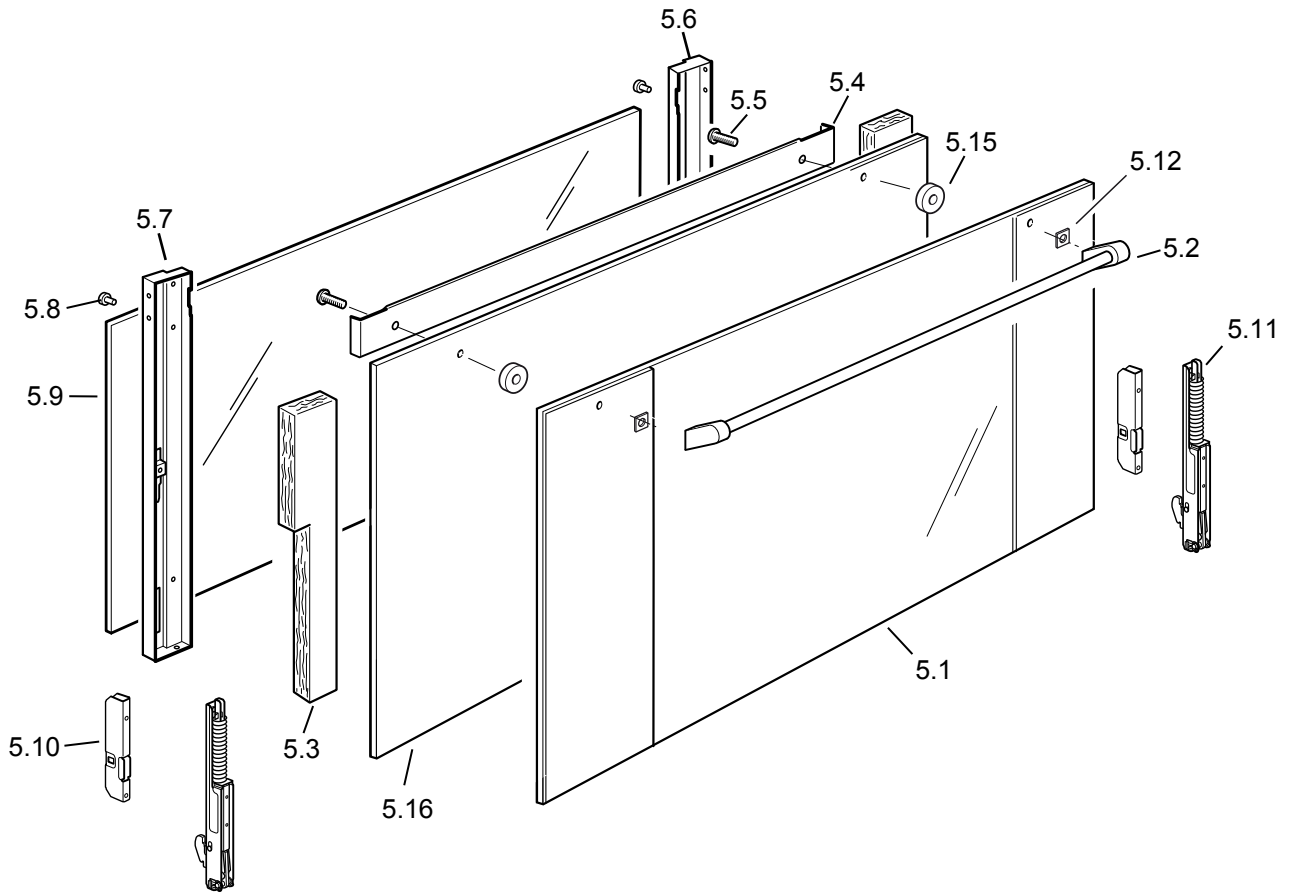
Key part information	
SR	Semirapid burner
TR	Triple ring burner
DUAL	Dual burner



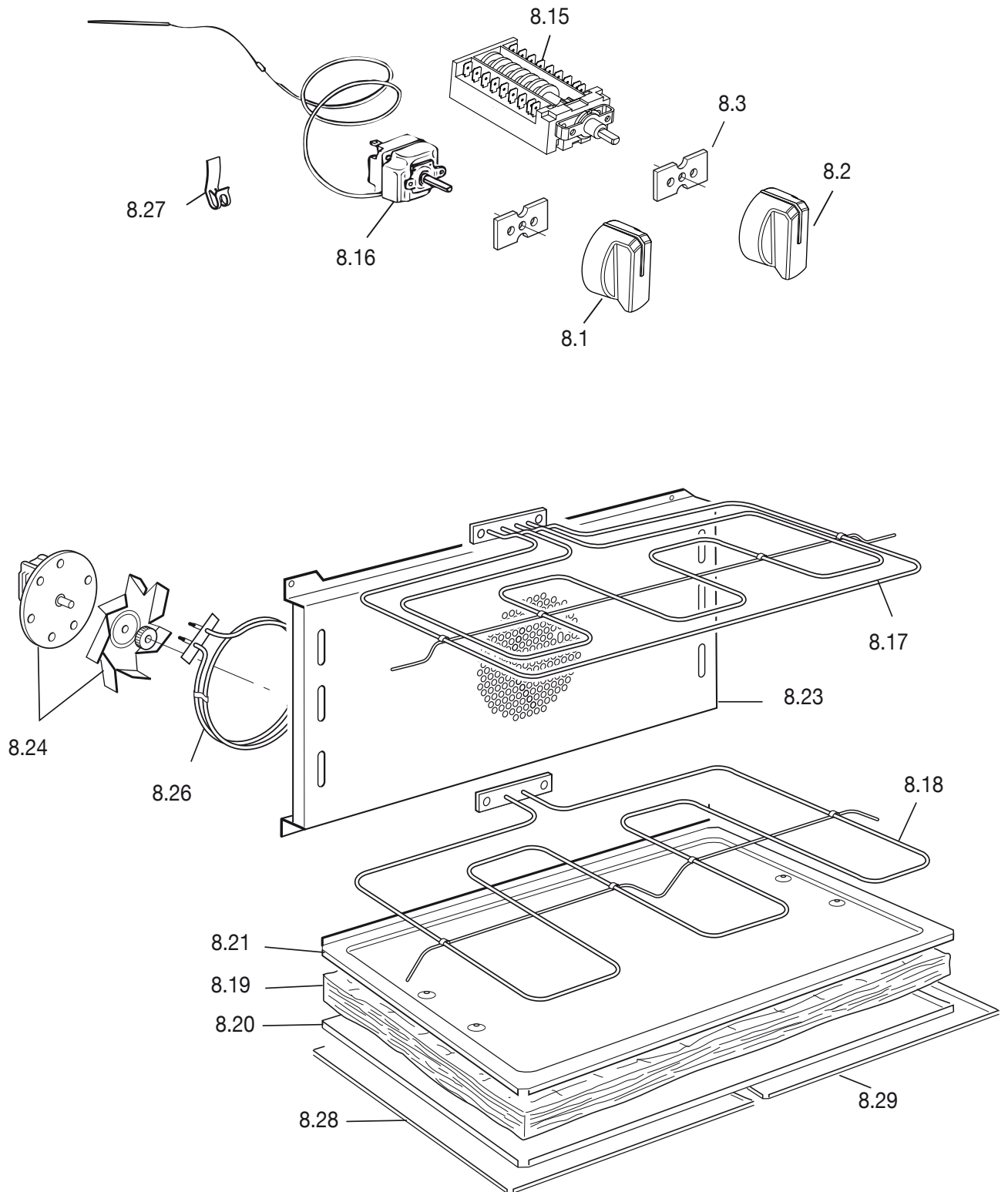
Ref.	Part description	Product code	
		C360VR042X	
		Feature	Part code
1.1	Rear trim + seal kit 6303628		1031455061
1.28	Badge		081093
2.1	Manifold		342365005
2.2	Cooktop		33136509S
2.3	Anchorage pipe		3426P40002
2.5	Burners support		51B9S06.1
2.13	Pin		103615
2.14	Spring		035100
2.15	Pan-support		217751
2.16	Central pan-support		217752
2.17	Nut		214062
2.18	Wok grid		217808
2.19	Manifold plate		094793
2.20	DUAL burner support		51B9S08
2.21	Manifold bracket		094825
2.22	Switch support bracket		094974
2.23	Stainless steel screw M3x8		001234.1
2.25	Screw DUAL		001251
2.26	Screw		001167
3.1	Control panel		35C3619LDX
3.2	Knob ring		218000G574
3.3	Knob spring		035036
3.4	Spacer		1031234
3.5	Control panel trim		51B3608
3.6	Upper control panel trim		1031102
3.8	Clips		213007



Ref.	Part description	Product code	
		C360VR042X	
		Feature	Part code
4.4	Oven insulation		030263
4.5	Rear insulation		030213
4.6	Rear side strut		51B3602
4.8	Rear panel		4113603
4.9	Upper shelter		4213602Z
4.12	Seal		053095
4.13	Seal		053101
4.14	Heat protection		51B36T01A
4.15	Rear panel closing		4219T07Z
4.16	Rear panel plug		081097
4.18	Shim		6303603
4.20	Buffer		040061
4.21	Hinge		063075
4.23	Front panel		371V3604L
4.24	Inside panel		373V3601A
4.25	Side panel right		36C36D2S.1
4.26	Side panel left		36C36S2S.1
4.28	Rubber		040012
4.30	Extension pipe support		094559
4.32	Rear insulation support		4219604Z
4.38	Counterweight		103403
4.40	Tangential fan		079041
4.41	Air outlet chamber		46A3607Z
4.42	Air intake chamber		46A3602Z.1
4.48	Anti-tip stability device		6303616
4.49	Power cord bracket		094488
4.50	Oven frame		441361EM02
4.58	Terminal block protection		094729

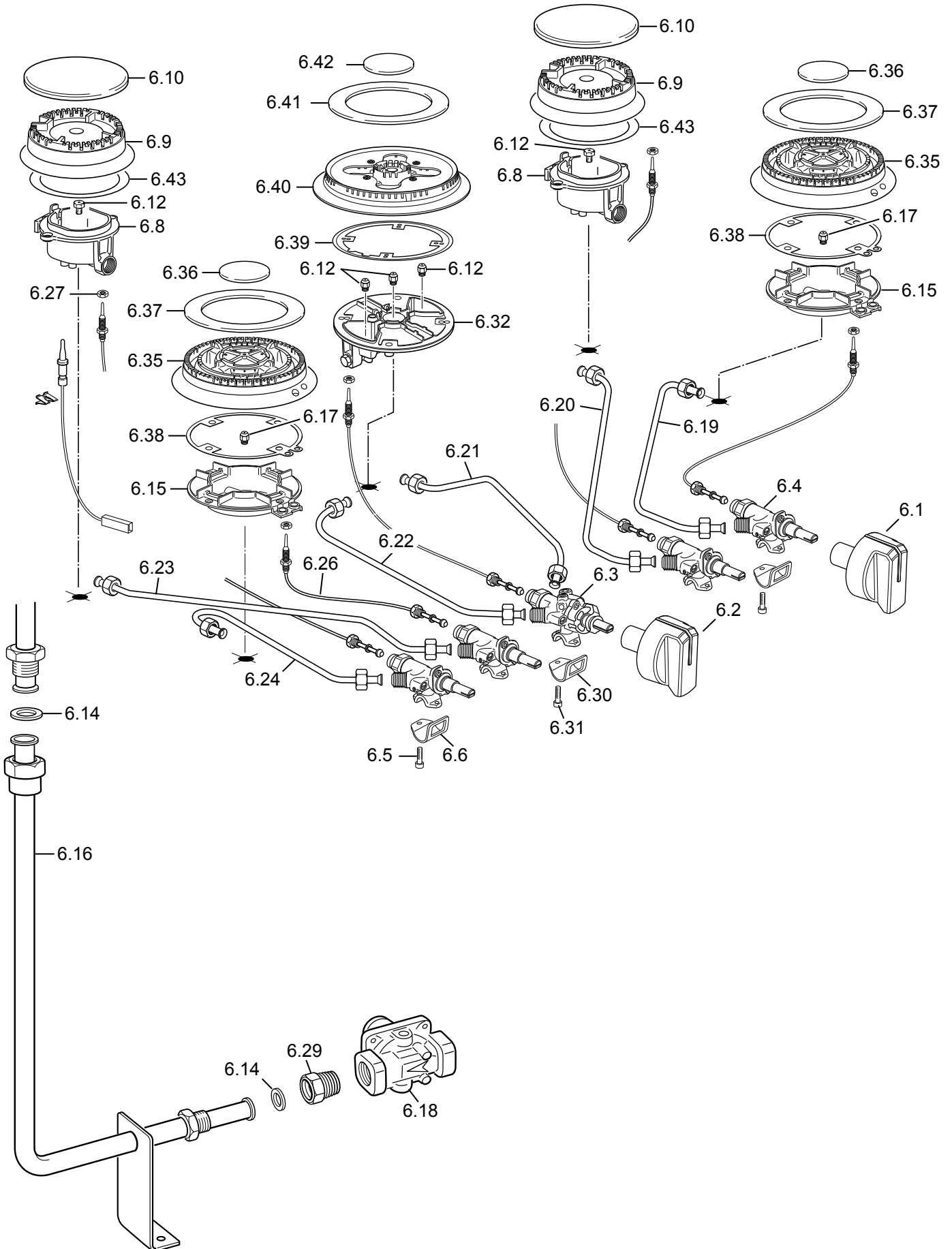


Ref.	Part description	Product code	
		C360VR042X	
		Feature	Part code
5.1	Door glass		03236018
5.2	Door handle		037220062
5.3	Side door insulation		030187.1
5.4	Trim handle		51B9S12A
5.5	Screw		001273
5.6	Right door trim		51A9S11DA
5.7	Left door trim		51A9S11SA
5.8	Screw		001007
5.9	Inner glass		0313111TH
5.10	Door hinge (female)		063148
5.11	Door hinge (male)		063151
5.12	Washer		103686.1
5.15	Spacer		003070
5.16	Inner middle glass		03236022
7.1	Shelf support		217672
7.2	Oven shelf		217673
7.3	Broiler pan tray		48B6105G
7.4	Broiler pan		48E6104G
7.5	Oven floor		47E9604G
7.6	Guard rail		1031906

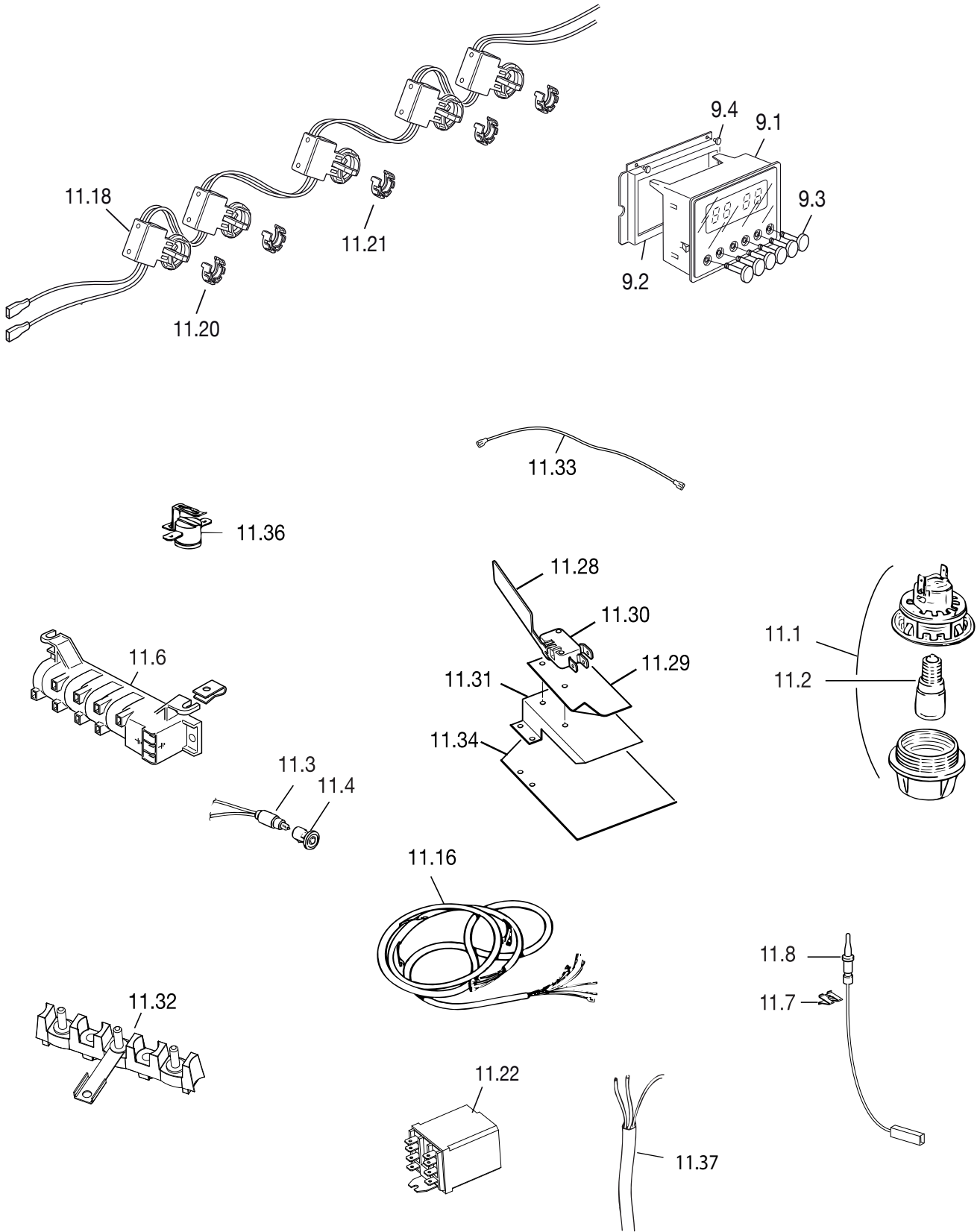




Ref.	Part description	Product code	
		C360VR042X	
		Feature	Part code
8.1	Oven thermostat knob		2183E5E571
8.2	Oven switch knob		2183E4E571
8.3	Spacer		103948.1
8.15	Oven switch		050088
8.16	Oven thermostat		066185
8.17	Top + grill element		062150001
8.18	Bottom element		062149001
8.19	Bottom element insulation		030076.1
8.20	Bottom element support		4219602Z
8.21	Bottom element support		4219605Z
8.23	Fan diffuser		47A9601G.2
8.24	Complete oven fan		079042
8.26	Fan element		062148001
8.27	Clip		213025
8.28	Bottom protection plate (left)		4216N03Z
8.29	Bottom protection plate (right)		4213609Z



Ref.	Part description	Product code	
		C360VR042X	
		Feature	Part code
6.1	Burner knob		2183B0E570
6.2	DUAL burner knob		218398E570
6.3	Tap	DUAL - Ø 33/57	106330US
6.4	Tap	SR - Ø 0.33	106271GN
		TR - Ø 0.63	106273GN
6.5	Tap fixing screw		001282
6.6	Tap bracket		094654
6.8	SR burner cup		215497
6.9	SR burner head		068132003
6.10	SR burner cap		216154005A
6.12	Injector	Ø 1.39 - G20 - SR	101357 (2pcs)
		Ø 0.80 - G20 - DU	101370
		Ø 1.39 - G20 - DU	101357 (2pcs)
		Ø 0.85 - G31 - SR	101362 (2pcs)
		Ø 0.50 - G31 - DU	101348
		Ø 0.80 - G31 - DU	101370 (2pcs)
6.14	Elbow gasket		053024.1
6.15	Burner cup TR		215500
6.16	Extension pipe		3423601
6.17	Injector TR	Ø 1.70 - G20	101387 (2pcs)
		Ø 1.02 - G31	101388 (2pcs)
6.18	Gas pressure regulator 1/2" NPT		103841
6.19	Inlet pipe - front right	TR	0291313
6.20	Inlet pipe - rear right	SR	0291132
6.21	Inlet pipe - inside central	DUAL	0291310
6.22	Inlet pipe - outside central	DUAL	0291311
6.23	Inlet pipe - rear left	SR	0291137
6.24	Inlet pipe - front left	TR	0291312
6.26	Burner thermocouple	TR - L = 350 mm	107088
		AU - SR = 600 mm	107078
		DUAL - L = 600 mm	107079
6.27	AU - SR Thermocouple nut		214079
	DUAL - Thermocouple nut		214080 - 214081
6.29	Connection		067033
6.30	DUAL tap bracket		094036
6.31	Dual tap fixing screw		001251
6.32	DUAL burner-cup		215507
6.35	TR burner head		068135
6.36	Burner-cap inside	TR	216155005A
6.37	Burner-cap outside	TR	216156005A
6.38	Burner-cup gasket		053165
6.39	Burner DUAL cup gasket		053165
6.40	TR-DUAL burner head		068134
6.41	Burner-cap outside DUAL	TR	216155005A
6.42	Burner-cap inside DUAL	TR	216156005A
6.43	Burner SR cup gasket		053166



Ref.	Part description	Product code	
		C360VR042X	
		Feature	Part code
9.1	Electronic programmer		074112
9.2	Electronic programmer bracket		094837
9.3	Button		1031668
9.4	Protection		040056
11.1	Lamp holder		072011
11.2	Lamp		073114
11.3	Control lamp		073078
11.4	Control lamp cover		07306202.2
11.6	Burners ignition coil ( 6-spark)		082084
11.7	Igniter spring	AU - SR	035125
		DU	035126
		TR	035127
11.8	Igniter	A - SR L = 800 mm	084061
		TR - L = 350 mm	084063
		TR - L = 900 mm	084065
		A - SR L = 350 mm	084062
		DUAL - L = 650 mm	084069
11.16	Wiring		1131958
11.18	Ignition switches		1031959
11.20	Retaining ring		003116
11.21	Retaining ring DUAL		003112
11.22	Relays		103855
11.28	Microswitch blade		094531
11.29	Microswitch insulation		039060
11.30	Air flow microswitch		077079
11.31	Microswitch support		094532
11.32	Terminal block 40A - 3P		051064
11.33	Cable		103288
11.34	Microswitch insulation		103927
11.36	Cut-off thermostat	80°C	066145
		150°C	066073
11.37	Cord		054117
-	LPG gas conversion kit		610365006
-	Users operating instructions		1105794
-	Installation instructions		1105795