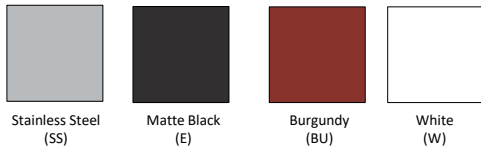




VUFSGG365-- ULTIMA GAS 36" RANGE

GENERAL FEATURES		
Size	36"	
Type	Gas	
Timer	Bell Timer	
Control Knobs	Chrome - Round Soft-Touch	
Liquid Propane (LP)	LP Conversion Kit Included	
Power Requirements	120 Volt 60Hz 15 Amp dedicated circuit	
Warranty	2 years parts & labor within policy	
COOKTOP FEATURES		
Burners	5 Sealed SABAF Brass – 57,000BTU	
Double Ring x 2	5,000 - 12,000 BTU x 2	
Semi-Rapid x 2	1,500 - 8,000 BTU x 2	
Dual Burner x 1	Double Crown 1,100 - 17,000 BTU Inner Crown 1,100 – 2,800 BTU Outer Crown 5,000 - 14,200 BTU	
Ignition Type	One-Touch, Instant with Safety Shut-off Thermocouple Feature	
Grates	Continuous Cast Iron	
Griddle	Optional	
Wok Support Ring	Included – Cast Iron	
OVEN FEATURES		
Interior Oven Dims.	5.0 cu.ft. / 30"W x 16"D x 15.5"H	
Oven Power	21,000 BTU	
Broil Element	Yes – Full Width, Closed Door	
Broiler Power	15,000 BTU	
Convection	Yes – with use of Fan Motor	
Functions	Bake, Convection Bake, Broil, Defrost, Fan Assist	
Oven Door	Soft-Close w/ 3 Pane Removable Glass	
Oven Lights	4 LED	
Oven Interior	Easy-clean enamel + Catalytic panels 2 – standard rack, position adjustable 2 – glide supports, position stationary	
Included Accessories	1 – air fry tray 1 – broiler pan assembly	
DIMENSIONS		
Width (in)	35 7/8	
Height (in)	35 3/8" – 37 1/4"	
Depth (in)	25 1/4"	
Island Trim	3"H (available for purchase as accessory)	
OPTIONAL ACCESSORIES		
TEPPANYAKI GRIDDLE	Stainless Steel	VEGRL300SS
STEAK GRIDDLE PAN	Cast Iron	VEGRD100C
SIMMER PLATE	Cast Iron	VEMSIM
SMALL POT REDUCER	Cast Iron	VEMSPR
COLOR KNOBS SET	Burgundy or Black	VEKNDGESBU/BLK

COLOR OPTIONS:



COLOR IS FULL-BODY, INCLUDING CONTROL PANEL & SIDES

MAIN FEATURES:



ALL BRASS BURNERS



ROUND SOFT TOUCH KNOB



ANALOGUE TEMP. GAUGE



ANGLED STAINLESS HANDLE

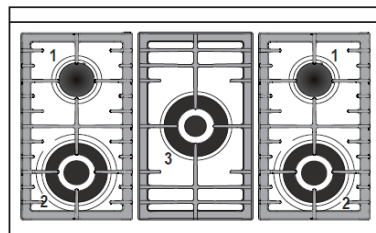


FULL-WIDTH STORAGE DRAWER



5 CU.FT OVEN W/ AIR FRY TRAY,
BROILER PAN & 2 GLIDE RACKS

COOKTOP CONFIGURATION:



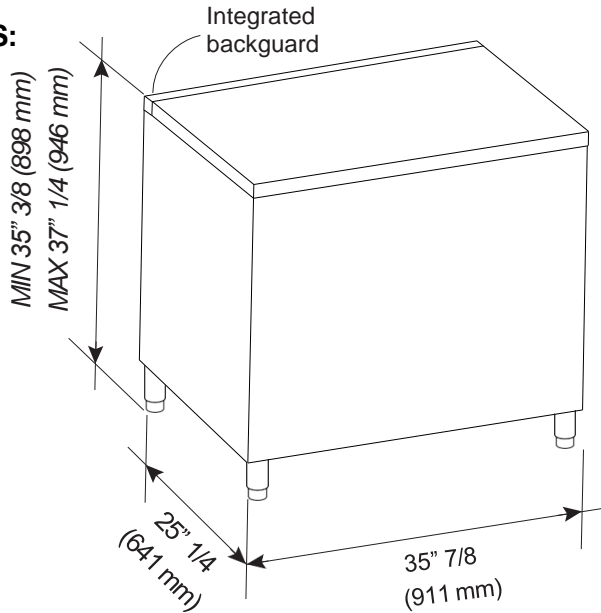
BURNER REF	MAX BTU
1	8,000
2	12,000
3 - Dual	17,000
3 - Inner	2,800
3 - Outer	14,200



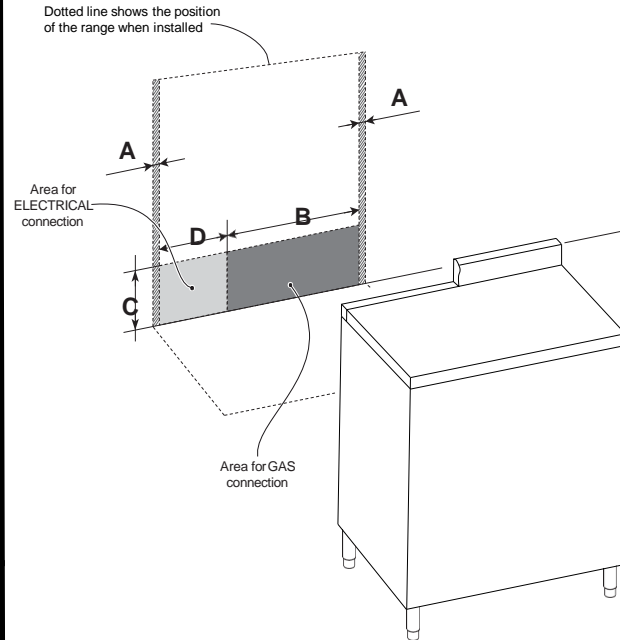
VUFSGG365-- ULTIMA 36" GAS RANGE

EuroChef USA | www.veronaappliances.com

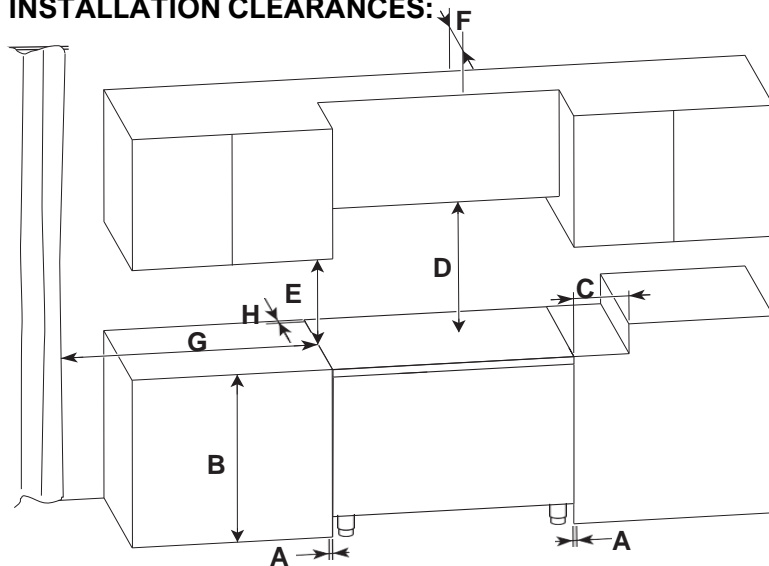
DIMENSIONS:



ELECTRICAL & GAS CLEARANCES:



INSTALLATION CLEARANCES:



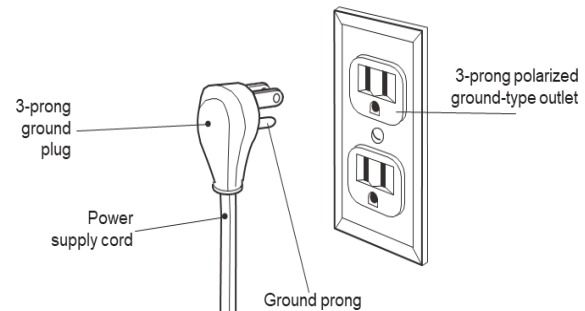
Ref.	inch	mm
A	1/4"	6
B	23" 9/16	599
C	8" 1/8 - 10" 1/8 (*)	207 - 257 (*)
D	11" 13/16	300

(*): Depending on appliance leg installation height.

Ref.	inch	mm
A	0"	0
B	37" 1/2 (*)	953 (*)
C	11" 13/16	300
D	30" or 36" minimum	762 or 914 minimum
E	18" minimum	457 minimum
F	13" maximum	330 maximum
G	20" minimum	500 minimum
H	0"	0

(*) Maximum height of cabinetry immediately adjacent to the range (from floor to countertop). Depending on the height of the feet adjustment. The cooking surface must sit flush or above countertop level.

This range is equipped with a 3-prong ground plug. The cord must be plugged into a mating 3-prong ground-type outlet, grounded in accordance with the latest edition and local codes and ordinances.



SCAN HERE FOR COMPLETE
INSTALLATION AND USER MANUALS

